



11919 John Adams Drive New Haven, IN 46774

Internal Pricing Guide

Published Pricing Date: January 1, 2024

*CALL FINANCE FOR ANY QUESTIONS REGARDING PRICES

**FREE FREIGHT ONLY APPLIES TO STEAMERS & GRIDDLES CONTINENTAL UNITED STATES

Index

Page Name	Page Numbers
2024 Dealer Rebate Agreements	3-4
Steam & Hold 3-Pan Steamer	5
Steam & Hold 6-Pan Steamer	5
Evolution Electric 3-Pan Steamer Connectionless (ED)	6
Evolution Electric 3-Pan Steamer Connected (EE)	7
Evolution Electric 6-Pan Steamer Connectionless (ED)	8
Evolution Electric 6-Pan Steamer Connected (EE)	8
Evolution Natural or Propane Gas 6-Pan Steamer Connectionless (ND)	9
Evolution Natural or Propane Gas 6-Pan Steamer Connected (NE)	9
Steamer Stands and Accessories	10
Electric Griddles	11
Electric Griddles (24" Bun and Tortilla Toaster)	11
Standard Drop-In Electric Griddles	12
Compact Drop-In Electric Griddles	12
Natural or Propane Gas Griddles with Regulator (4" legs standard)	13
Griddle Drawing	14
Griddle Stand and Accessories	15,16
Upper Platen	17
Upper Platen Accessories	17
Upper Platen Drawing XLR8-00	18
International Steamers and Griddles	19
Kettles	20-31
Kettle Accessories	32-35
Skillet	36
Skillet Accessories	37
ETO	38
Whole Foods Pricing	39
Direct Supply Pricing	40-43

2024 Dealer Rebate Agreements

Dealer Name	Territory	Dealer Discount	Freight/Additional Notes
AJ Anderson Construction	10	50/5/2	PPA - Prepay and Add
Amundsen Food Equipment	20	50/5/2	Free Freight -Continental United States (Steamers & Griddles Only)
Arrow Restaurant Supply	26	50/5/2/3	PPA - Prepay and Add
Avanti	26	50/5/5	Free Freight - Continental United States (Steamers & Griddles Only) on 3 or more equipment pieces. Must be on 1 PO shipping to same location
Bargreen / Ellingson	25	50/5/2/5	Free Freight -Continental United States (Steamers & Griddles Only)
Birmingham Restaurant Supply (BRESKO)	7	50/5/5	PPA - Prepay and Add
Burkett Restaurant Equipment	14	50/5/5	5% Spec Credit, Free Freight - Continental United States (Steamers & Griddles Only) on 3 or more equipment pieces. Must be on 1 PO shipping to same location
Castinos Restaurant Supply	26	50/5/2/3	PPA - Prepay and Add
Cayards	7	50/5/2/3	PPA - Prepay and Add
Clark Core Services	9	50/5/2/5	Free Freight - Continental United States (Steamers & Griddles Only) on 3 or more equipment pieces. Must be on 1 PO shipping to same location
Commercial Kitchen Stop	10	50/5/2/3	PPA - Prepay and Add
Commercial Kitchen Supply	23	50/5/2/3	PPA - Prepay and Add
Contract Equipment Specialist	10	50/5/2	PPA - Prepay and Add
Delaware North	1	N/A	PPA - Prepay and Add
Direct Supply	ALL	See pricing sheet	Free Freight -Continental United States (Steamers & Griddles Only)
Durable North America	26	50/5/2/3	PPA - Prepay and Add
Duray Baring Industries	10	50/5/2	Free Freight -Continental United States (Steamers & Griddles Only)
Edward Don	ALL	50/5/2/3	PPA - Prepay and Add
Federal Supply USA	17	50/5/2/3	PPA - Prepay and Add
Ford Hotel Supply	23	50/5/2	3% Spec Credit, PPA - Prepay and Add
Government Sales	32	50/5/2/3	PPA - Prepay and Add
Hotel and Restaurant Supply	7	50/5/5	Free Freight - Continental United States (Steamers & Griddles Only) on 3 or more equipment pieces. Must be on 1 PO shipping to same location
Johnson Mechanical	17	50/5/2/3	PPA - Prepay and Add
KaTom Restaurant	7	50/5/2/5	Free Freight - Continental United States (Steamers & Griddles Only) on 3 or more equipment pieces. Must be on 1 PO shipping to same location
Main-Ford	1	50/5/2/3	PPA - Prepay and Add
Mathias Foodservice Equipment	10	50/5/2/3	PPA - Prepay and Add
McComas	23	50/5/2/3	PPA - Prepay and Add
Merchandise Equipment	14	50/5/2	PPA - Prepay and Add
Mission Restaurant Supply	20/22	50/5/2/5	Free Freight - Continental United States (Steamers & Griddles Only) on 3 or more equipment pieces. Must be on 1 PO shipping to same location
Mobile Fixture	7	50/5/5	PPA - Prepay and Add
NAFED	ALL	50/5/5	Free Freight - Continental United States (Steamers & Griddles Only) on 3 or more equipment pieces. Must be on 1 PO shipping to same location

2024 Dealer Rebate Agreements

Dealer Name	Territory	Dealer Discount	Freight/Additional Notes
Norvell Fixture	8	50/5/5	PPA - Prepay and Add
RESCO	23	50/5/2	PPA - Prepay and Add
Rose's Equipment	25	50/5/2/3	PPA - Prepay and Add
Sam Tell	1	50/5/2	Free Freight - Continental United States (Steamers & Griddles Only) on 3 or more equipment pieces. Must be on 1 PO shipping to same location
SEFA	ALL		Free Freight - Continental United States (Steamers & Griddles Only) on 3 or more equipment pieces. Must be on 1 PO shipping to same location
Singer	1	50/5/2	PPA - Prepay and Add
Spokane	25	50/5/2/3	Spec Credit 50/5/5/5 Free Freight - Continental United States (Steamers & Griddles Only)
Stafford-Smith	14	50/5/2	PPA - Prepay and Add
Strata (Previously Excell)	ALL	50/5/5	Free Freight - Continental United States (Steamers & Griddles Only) on 3 or more equipment pieces. Must be on 1 PO shipping to same location
Tackett/Central Restaurant Products/Hubert	14	50/5/5	Free Freight - Continental United States (Steamers & Griddles Only)
Tecnico Corporation	32	50/5/2	PPA - Prepay and Add
The Source	32	50/5/2	PPA - Prepay and Add
Trident Maritime Systems	32	50/5/2	PPA - Prepay and Add
TriMark	ALL	50/5/2/5	Spec credit for project brought that is not a current customer, Free Freight - Continental United States (Steamers & Griddles Only) on 3 or more equipment pieces. Must be on 1 PO shipping to same location
United Restaurant Equipment	8	50/5/5	Free Freight - Continental United States (Steamers & Griddles Only) on 3 or more equipment pieces. Must be on 1 PO shipping to same location
US Foods	ALL	50/5	PPA - Prepay and Add
Warehouse Store Fixture	1	50/5/2	PPA - Prepay and Add
Victor Products	8	50/5/5	PPA - Prepay and Add

Steam & Hold 3-Pan Steamer

Model	Width	Depth	Height	(lb.)	List Price	50%	50/5%	50/5/2%	50/5/5%	50/5/2/5%	50/5/5/5%	Pricing	Charge - 5% of
S32081D060	36"	32"	27"	200	\$ 18,011.00	9,005.50	8,555.23	8,384.12	8,127.46	7,964.91	7,721.09	9,906.05	900.55
S32401D060	36"	32"	27"	200	\$ 18,011.00	9,005.50	8,555.23	8,384.12	8,127.46	7,964.91	7,721.09	9,906.05	900.55
S34403D090	36"	32"	27"	200	\$ 19,555.00	9,777.50	9,288.63	9,102.85	8,824.19	8,647.71	8,382.98	10,755.25	977.75
S32083D100	36"	32"	27"	200	\$ 18,011.00	9,005.50	8,555.23	8,384.12	8,127.46	7,964.91	7,721.09	9,906.05	900.55
S32403D110	36"	32"	27"	200	\$ 18,011.00	9,005.50	8,555.23	8,384.12	8,127.46	7,964.91	7,721.09	9,906.05	900.55
S34803D110	36"	32"	27"	200	\$ 19,011.00	9,505.50	9,030.23	8,849.62	8,578.71	8,407.14	8,149.78	10,456.05	950.55
S32081D060 SGL	36"	32"	74"	250	\$ 20,436.00	10,218.00	9,707.10	9,512.96	9,221.75	9,037.31	8,760.66	11,239.80	
S32401D060 SGL	36"	32"	74"	250	\$ 20,436.00	10,218.00	9,707.10	9,512.96	9,221.75	9,037.31	8,760.66	11,239.80	
S34403D090 SGL	36"	32"	74"	250	\$ 21,980.00	10,990.00	10,440.50	10,231.69	9,918.48	9,720.11	9,422.55	12,089.00	
S32083D100 SGL	36"	32"	74"	250	\$ 20,436.00	10,218.00	9,707.10	9,512.96	9,221.75	9,037.31	8,760.66	11,239.80	
S32403D110 SGL	36"	32"	74"	250	\$ 20,436.00	10,218.00	9,707.10	9,512.96	9,221.75	9,037.31	8,760.66	11,239.80	
S34803D110 SGL	36"	32"	74"	250	\$ 21,436.00	10,718.00	10,182.10	9,978.46	9,673.00	9,479.54	9,189.35	11,789.80	
S32081D060 DBL	36"	32"	74"	450	\$ 39,263.00	19,631.50	18,649.93	18,276.93	17,717.43	17,363.08	16,831.56	21,594.65	
S32401D060 DBL	36"	32"	74"	450	\$ 39,263.00	19,631.50	18,649.93	18,276.93	17,717.43	17,363.08	16,831.56	21,594.65	
S34403D090 DBL	36"	32"	74"	450	\$ 42,351.00	21,175.50	20,116.73	19,714.39	19,110.89	18,728.67	18,155.34	23,293.05	
S32083D100 DBL	36"	32"	74"	450	\$ 39,263.00	19,631.50	18,649.93	18,276.93	17,717.43	17,363.08	16,831.56	21,594.65	
S32403D110 DBL	36"	32"	74"	450	\$ 39,263.00	19,631.50	18,649.93	18,276.93	17,717.43	17,363.08	16,831.56	21,594.65	
S34803D110 DBL	36"	32"	74"	450	\$ 41,263.00	20,631.50	19,599.93	19,207.93	18,619.93	18,247.53	17,688.93	22,694.65	
S3/S62081D060 DBL	36"	32"	74"	490	\$ 44,904.00	22,452.00	21,329.40	20,902.81	20,262.93	19,857.67	19,249.78	24,697.20	
S3/S62401D060 DBL	36"	32"	74"	490	\$ 44,904.00	22,452.00	21,329.40	20,902.81	20,262.93	19,857.67	19,249.78	24,697.20	
S3/S62403D110 DBL	36"	32"	74"	490	\$ 44,904.00	22,452.00	21,329.40	20,902.81	20,262.93	19,857.67	19,249.78	24,697.20	

Steam & Hold 6-Pan Steamer

Model	Width	Depth	Height	(lb.)	List Price	50%	50/5%	50/5/2%	50/5/5%	50/5/2/5%	50/5/5/5%	Pricing	Charge - 5% of
S62081D060	36"	32"	36"	240	\$ 23,652.00	\$ 11,826.00	\$ 11,234.70	\$ 11,010.01	\$ 10,672.97	\$ 10,459.51	\$ 10,139.32	\$ 13,008.60	\$ 1,182.60
S62401D060	36"	32"	36"	240	\$ 23,652.00	\$ 11,826.00	\$ 11,234.70	\$ 11,010.01	\$ 10,672.97	\$ 10,459.51	\$ 10,139.32	\$ 13,008.60	\$ 1,182.60
S62083D100	36"	32"	36"	240	\$ 24,690.00	12,345.00	11,727.75	11,493.20	11,141.36	10,918.54	10,584.29	\$ 13,579.50	1,234.50
S62403D110	36"	32"	36"	240	\$ 23,652.00	11,826.00	11,234.70	11,010.01	10,672.97	10,459.51	10,139.32	\$ 13,008.60	1,182.60
S62403D130	36"	32"	36"	240	\$ 23,513.00	11,756.50	11,168.68	10,945.30	10,610.24	10,398.04	10,079.73	\$ 12,932.15	1,175.65
S64803D140	36"	32"	36"	240	\$ 24,690.00	12,345.00	11,727.75	11,493.20	11,141.36	10,918.54	10,584.29	\$ 13,579.50	1,234.50
S62083D150	36"	32"	36"	240	\$ 25,731.00	12,865.50	12,222.23	11,977.78	11,611.11	11,378.89	11,030.56	\$ 14,152.05	1,286.55
S62081D060 SGL	36"	32"	85"	290	26,077.00	13,038.50	12,386.58	12,138.84	11,767.25	11,531.90	11,178.88	\$ 14,342.35	
S62401D060 SGL	36"	32"	85"	290	26,077.00	13,038.50	12,386.58	12,138.84	11,767.25	11,531.90	11,178.88	\$ 14,342.35	
S62083D100 SGL	36"	32"	85"	290	27,115.00	13,557.50	12,879.63	12,622.03	12,235.64	11,990.93	11,623.86	\$ 14,913.25	
S62403D110 SGL	36"	32"	85"	290	26,077.00	13,038.50	12,386.58	12,138.84	11,767.25	11,531.90	11,178.88	\$ 14,342.35	
S62403D130 SGL	36"	32"	85"	290	25,938.00	12,969.00	12,320.55	12,074.14	11,704.52	11,470.43	11,119.30	\$ 14,265.90	
S64803D140 SGL	36"	32"	85"	290	27,115.00	13,557.50	12,879.63	12,622.03	12,235.64	11,990.93	11,623.86	\$ 14,913.25	
S62083D150 SGL	36"	32"	85"	290	28,156.00	14,078.00	13,374.10	13,106.62	12,705.40	12,451.29	12,070.13	\$ 15,485.80	
S62081D060 DBL	36"	32"	85"	530	50,545.00	25,272.50	24,008.88	23,528.70	22,808.43	22,352.26	21,668.01	\$ 27,799.75	
S62401D060 DBL	36"	32"	85"	530	50,545.00	25,272.50	24,008.88	23,528.70	22,808.43	22,352.26	21,668.01	\$ 27,799.75	
S62083D100 DBL	36"	32"	85"	530	52,621.00	26,310.50	24,994.98	24,495.08	23,745.23	23,270.32	22,557.96	\$ 28,941.55	
S62403D110 DBL	36"	32"	85"	530	50,545.00	25,272.50	24,008.88	23,528.70	22,808.43	22,352.26	21,668.01	\$ 27,799.75	
S62403D130 DBL	36"	32"	85"	530	50,267.00	25,133.50	23,876.83	23,399.29	22,682.98	22,229.32	21,548.83	\$ 27,646.85	
S64803D140 DBL	36"	32"	85"	530	52,621.00	26,310.50	24,994.98	24,495.08	23,745.23	23,270.32	22,557.96	\$ 28,941.55	
S62083D150 DBL	36"	32"	85"	530	54,703.00	27,351.50	25,983.93	25,464.25	24,684.73	24,191.03	23,450.49	\$ 30,086.65	

Evolution Electric 3-Pan Steamer Connectionless (ED)

Model	Width	Depth	Height	(lb.)	List Price	50%	50/5%	50/5/2%	50/5/5%	50/5/2/5%	50/5/5/5%	Pricing	Charge - 5%
E32081D060	36"	32"	27"	200	\$ 15,229.00	7,614.50	7,233.78	7,089.10	6,872.09	6,734.64	6,528.48	8,375.95	761.45
E32401D080	36"	32"	27"	200	\$ 15,229.00	7,614.50	7,233.78	7,089.10	6,872.09	6,734.64	6,528.48	8,375.95	761.45
E32403D110	36"	32"	27"	200	\$ 16,022.00	8,011.00	7,610.45	7,458.24	7,229.93	7,085.33	6,868.43	8,812.10	801.10
E34403D120	36"	32"	27"	200	\$ 16,022.00	8,011.00	7,610.45	7,458.24	7,229.93	7,085.33	6,868.43	8,812.10	801.10
E34803D140	36"	32"	27"	200	\$ 16,022.00	8,011.00	7,610.45	7,458.24	7,229.93	7,085.33	6,868.43	8,812.10	801.10
E32083D150	36"	32"	27"	200	\$ 16,818.00	8,409.00	7,988.55	7,828.78	7,589.12	7,437.34	7,209.67	9,249.90	840.90
E32081D060 SGL	36"	32"	74"	250	\$ 17,654.00	8,827.00	8,385.65	8,217.94	7,966.37	7,807.04	7,568.05	9,709.70	
E32401D080 SGL	36"	32"	74"	250	\$ 17,654.00	8,827.00	8,385.65	8,217.94	7,966.37	7,807.04	7,568.05	9,709.70	
E32403D110 SGL	36"	32"	74"	250	\$ 18,447.00	9,223.50	8,762.33	8,587.08	8,324.21	8,157.72	7,908.00	10,145.85	
E34403D120 SGL	36"	32"	74"	250	\$ 18,447.00	9,223.50	8,762.33	8,587.08	8,324.21	8,157.72	7,908.00	10,145.85	
E34803D140 SGL	36"	32"	74"	250	\$ 18,447.00	9,223.50	8,762.33	8,587.08	8,324.21	8,157.72	7,908.00	10,145.85	
E32083D150 SGL	36"	32"	74"	250	\$ 19,243.00	9,621.50	9,140.43	8,957.62	8,683.40	8,509.74	8,249.23	10,583.65	
E32081D060 DBL	36"	32"	74"	450	\$ 33,699.00	16,849.50	16,007.03	15,686.88	15,206.67	14,902.54	14,446.34	18,534.45	
E32401D080 DBL	36"	32"	74"	450	\$ 33,699.00	16,849.50	16,007.03	15,686.88	15,206.67	14,902.54	14,446.34	18,534.45	
E32403D110 DBL	36"	32"	74"	450	\$ 35,285.00	17,642.50	16,760.38	16,425.17	15,922.36	15,603.91	15,126.24	19,406.75	
E34403D120 DBL	36"	32"	74"	450	\$ 35,285.00	17,642.50	16,760.38	16,425.17	15,922.36	15,603.91	15,126.24	19,406.75	
E34803D140 DBL	36"	32"	74"	450	\$ 35,285.00	17,642.50	16,760.38	16,425.17	15,922.36	15,603.91	15,126.24	19,406.75	
E32083D150 DBL	36"	32"	74"	450	\$ 36,877.00	18,438.50	17,516.58	17,166.24	16,640.75	16,307.93	15,808.71	20,282.35	
E32081D060 TPL	36"	32"		650	\$ 49,837.00	24,918.50	23,672.58	23,199.12	22,488.95	22,039.17	21,364.50	27,410.35	
E32401D080 TPL	36"	32"		650	\$ 49,837.00	24,918.50	23,672.58	23,199.12	22,488.95	22,039.17	21,364.50	27,410.35	
E32403D110 TPL	36"	32"		650	\$ 52,216.00	26,108.00	24,802.60	24,306.55	23,562.47	23,091.22	22,384.35	28,718.80	
E34403D120 TPL	36"	32"		650	\$ 52,216.00	26,108.00	24,802.60	24,306.55	23,562.47	23,091.22	22,384.35	28,718.80	
E34803D140 TPL	36"	32"		650	\$ 52,216.00	26,108.00	24,802.60	24,306.55	23,562.47	23,091.22	22,384.35	28,718.80	
E32083D150 TPL	36"	32"		650	\$ 54,604.00	27,302.00	25,936.90	25,418.16	24,640.06	24,147.25	23,408.05	30,032.20	
E3/E62081D060 DBL	36"	32"	74"	490	\$ 36,914.00	18,457.00	17,534.15	17,183.47	16,657.44	16,324.29	15,824.57	20,302.70	
E3/E62083D100 DBL	36"	32"	74"	490	\$ 38,518.00	19,259.00	18,296.05	17,930.13	17,381.25	17,033.62	16,512.19	21,184.90	
E3/E62403D110 DBL	36"	32"	74"	490	\$ 38,518.00	19,259.00	18,296.05	17,930.13	17,381.25	17,033.62	16,512.19	21,184.90	
E3/E64403D120 DBL	36"	32"	74"	490	\$ 38,518.00	19,259.00	18,296.05	17,930.13	17,381.25	17,033.62	16,512.19	21,184.90	
E3/E64803D140 DBL	36"	32"	74"	490	\$ 38,518.00	19,259.00	18,296.05	17,930.13	17,381.25	17,033.62	16,512.19	21,184.90	
E3/E62083D150 DBL	36"	32"	74"	490	\$ 40,125.00	20,062.50	19,059.38	18,678.19	18,106.41	17,744.28	17,201.09	22,068.75	

Evolution Electric 3-Pan Steamer Connected (EE)

Model	Width	Depth	Height	(lb.)	List Price	50%	50/5%	50/5/2%	50/5/5%	50/5/2/5%	50/5/5/5%	Pricing	Charge - 5%
E32081E060	36"	32"	27"	200	\$ 16,522.00	8,261.00	7,847.95	7,690.99	7,455.55	7,306.44	7,082.77	9,087.10	826.10
E32401E080	36"	32"	27"	200	\$ 16,522.00	8,261.00	7,847.95	7,690.99	7,455.55	7,306.44	7,082.77	9,087.10	826.10
E32403E110	36"	32"	27"	200	\$ 17,314.00	8,657.00	8,224.15	8,059.67	7,812.94	7,656.68	7,422.30	9,522.70	865.70
E34403E120	36"	32"	27"	200	\$ 17,314.00	8,657.00	8,224.15	8,059.67	7,812.94	7,656.68	7,422.30	9,522.70	865.70
E34803E140	36"	32"	27"	200	\$ 17,314.00	8,657.00	8,224.15	8,059.67	7,812.94	7,656.68	7,422.30	9,522.70	865.70
E32083E150	36"	32"	27"	200	\$ 18,111.00	9,055.50	8,602.73	8,430.67	8,172.59	8,009.14	7,763.96	9,961.05	905.55
E32081E060 SGL	36"	32"	74"	250	\$ 18,947.00	9,473.50	8,999.83	8,819.83	8,549.83	8,378.84	8,122.34	10,420.85	
E32401E080 SGL	36"	32"	74"	250	\$ 18,947.00	9,473.50	8,999.83	8,819.83	8,549.83	8,378.84	8,122.34	10,420.85	
E32403E110 SGL	36"	32"	74"	250	\$ 19,739.00	9,869.50	9,376.03	9,188.50	8,907.22	8,729.08	8,461.86	10,856.45	
E34403E120 SGL	36"	32"	74"	250	\$ 19,739.00	9,869.50	9,376.03	9,188.50	8,907.22	8,729.08	8,461.86	10,856.45	
E34803E140 SGL	36"	32"	74"	250	\$ 19,739.00	9,869.50	9,376.03	9,188.50	8,907.22	8,729.08	8,461.86	10,856.45	
E32083E150 SGL	36"	32"	74"	250	\$ 20,536.00	10,268.00	9,754.60	9,559.51	9,266.87	9,081.53	8,803.53	11,294.80	
E32081E060 DBL	36"	32"	74"	450	\$ 36,285.00	18,142.50	17,235.38	16,890.67	16,373.61	16,046.13	15,554.93	19,956.75	
E32401E080 DBL	36"	32"	74"	450	\$ 36,285.00	18,142.50	17,235.38	16,890.67	16,373.61	16,046.13	15,554.93	19,956.75	
E32403E110 DBL	36"	32"	74"	450	\$ 37,869.00	18,934.50	17,987.78	17,628.02	17,088.39	16,746.62	16,233.97	20,827.95	
E34403E120 DBL	36"	32"	74"	450	\$ 37,869.00	18,934.50	17,987.78	17,628.02	17,088.39	16,746.62	16,233.97	20,827.95	
E34803E140 DBL	36"	32"	74"	450	\$ 37,869.00	18,934.50	17,987.78	17,628.02	17,088.39	16,746.62	16,233.97	20,827.95	
E32083E150 DBL	36"	32"	74"	450	\$ 39,463.00	19,731.50	18,744.93	18,370.03	17,807.68	17,451.53	16,917.29	21,704.65	
E32081E060 TPL	36"	32"		650	\$ 53,716.00	26,858.00	25,515.10	25,004.80	24,239.35	23,754.56	23,027.38	29,543.80	
E32401E080 TPL	36"	32"		650	\$ 53,716.00	26,858.00	25,515.10	25,004.80	24,239.35	23,754.56	23,027.38	29,543.80	
E32403E110 TPL	36"	32"		650	\$ 56,092.00	28,046.00	26,643.70	26,110.83	25,311.52	24,805.28	24,045.94	30,850.60	
E34403E120 TPL	36"	32"		650	\$ 56,092.00	28,046.00	26,643.70	26,110.83	25,311.52	24,805.28	24,045.94	30,850.60	
E34803E140 TPL	36"	32"		650	\$ 56,092.00	28,046.00	26,643.70	26,110.83	25,311.52	24,805.28	24,045.94	30,850.60	
E32083E150 TPL	36"	32"		650	\$ 58,483.00	29,241.50	27,779.43	27,223.84	26,390.45	25,862.64	25,070.93	32,165.65	
E3/E62081E060 DBL	36"	32"	74"	490	\$ 39,527.00	19,763.50	18,775.33	18,399.82	17,836.56	17,479.83	16,944.73	21,739.85	
E3/E62083E100 DBL	36"	32"	74"	490	\$ 41,128.00	20,564.00	19,535.80	19,145.08	18,559.01	18,187.83	17,631.06	22,620.40	
E3/E62403E110 DBL	36"	32"	74"	490	\$ 41,128.00	20,564.00	19,535.80	19,145.08	18,559.01	18,187.83	17,631.06	22,620.40	
E3/E64403E120 DBL	36"	32"	74"	490	\$ 40,725.00	20,362.50	19,344.38	18,957.49	18,377.16	18,009.61	17,458.30	22,398.75	
E3/E64803E140 DBL	36"	32"	74"	490	\$ 41,128.00	20,564.00	19,535.80	19,145.08	18,559.01	18,187.83	17,631.06	22,620.40	
E3/E62083E150 DBL	36"	32"	74"	490	\$ 42,739.00	21,369.50	20,301.03	19,895.00	19,285.97	18,900.25	18,321.68	23,506.45	

Evolution Electric 6-Pan Steamer Connectionless (ED)													
Model	Width	Depth	Height	(lb.)	List Price	50%	50/5%	50/5/2%	50/5/5%	50/5/2/5%	50/5/5/5%	Pricing	Charge - 5%
E62081D060	36"	32"	36"	240	\$ 18,444.00	9,222.00	8,760.90	8,585.68	8,322.86	8,156.40	7,906.71	10,144.20	922.20
E62401D060	36"	32"	36"	240	\$ 18,444.00	9,222.00	8,760.90	8,585.68	8,322.86	8,156.40	7,906.71	10,144.20	922.20
E62083D100	36"	32"	36"	240	\$ 19,255.00	9,627.50	9,146.13	8,963.20	8,688.82	8,515.04	8,254.38	10,590.25	962.75
E62403D110	36"	32"	36"	240	\$ 19,255.00	9,627.50	9,146.13	8,963.20	8,688.82	8,515.04	8,254.38	10,590.25	962.75
E64403D120	36"	32"	36"	240	\$ 19,255.00	9,627.50	9,146.13	8,963.20	8,688.82	8,515.04	8,254.38	10,590.25	962.75
E62403D130	36"	32"	36"	240	\$ 19,255.00	9,627.50	9,146.13	8,963.20	8,688.82	8,515.04	8,254.38	10,590.25	962.75
E64803D140	36"	32"	36"	240	\$ 19,255.00	9,627.50	9,146.13	8,963.20	8,688.82	8,515.04	8,254.38	10,590.25	962.75
E62083D150	36"	32"	36"	240	\$ 20,066.00	10,033.00	9,531.35	9,340.72	9,054.78	8,873.69	8,602.04	11,036.30	1,003.30
E62081D060 SGL	36"	32"	85"	290	\$ 20,869.00	10,434.50	9,912.78	9,714.52	9,417.14	9,228.79	8,946.28	11,477.95	
E62401D060 SGL	36"	32"	85"	290	\$ 20,869.00	10,434.50	9,912.78	9,714.52	9,417.14	9,228.79	8,946.28	11,477.95	
E62083D100 SGL	36"	32"	85"	290	\$ 21,680.00	10,840.00	10,298.00	10,092.04	9,783.10	9,587.44	9,293.95	11,924.00	
E62403D110 SGL	36"	32"	85"	290	\$ 21,680.00	10,840.00	10,298.00	10,092.04	9,783.10	9,587.44	9,293.95	11,924.00	
E64403D120 SGL	36"	32"	85"	290	\$ 21,680.00	10,840.00	10,298.00	10,092.04	9,783.10	9,587.44	9,293.95	11,924.00	
E62403D130 SGL	36"	32"	85"	290	\$ 21,680.00	10,840.00	10,298.00	10,092.04	9,783.10	9,587.44	9,293.95	11,924.00	
E64803D140 SGL	36"	32"	85"	290	\$ 21,680.00	10,840.00	10,298.00	10,092.04	9,783.10	9,587.44	9,293.95	11,924.00	
E62083D150 SGL	36"	32"	85"	290	\$ 22,491.00	11,245.50	10,683.23	10,469.56	10,149.06	9,946.08	9,641.61	12,370.05	
E62081D060 DBL	36"	32"	85"	530	\$ 40,129.00	20,064.50	19,061.28	18,680.05	18,108.21	17,746.05	17,202.80	22,070.95	
E62401D060 DBL	36"	32"	85"	530	\$ 40,129.00	20,064.50	19,061.28	18,680.05	18,108.21	17,746.05	17,202.80	22,070.95	
E62083D100 DBL	36"	32"	85"	530	\$ 41,751.00	20,875.50	19,831.73	19,435.09	18,840.14	18,463.34	17,898.13	22,963.05	
E62403D110 DBL	36"	32"	85"	530	\$ 41,751.00	20,875.50	19,831.73	19,435.09	18,840.14	18,463.34	17,898.13	22,963.05	
E64403D120 DBL	36"	32"	85"	530	\$ 41,751.00	20,875.50	19,831.73	19,435.09	18,840.14	18,463.34	17,898.13	22,963.05	
E62403D130 DBL	36"	32"	85"	530	\$ 41,751.00	20,875.50	19,831.73	19,435.09	18,840.14	18,463.34	17,898.13	22,963.05	
E64803D140 DBL	36"	32"	85"	530	\$ 41,751.00	20,875.50	19,831.73	19,435.09	18,840.14	18,463.34	17,898.13	22,963.05	
E62083D150 DBL	36"	32"	85"	530	\$ 43,373.00	21,686.50	20,602.18	20,190.13	19,572.07	19,180.62	18,593.46	23,855.15	
Evolution Electric 6-Pan Steamer Connected (EE)													
Model	Width	Depth	Height	(lb.)	List Price	50%	50/5%	50/5/2%	50/5/5%	50/5/2/5%	50/5/5/5%	Pricing	Charge - 5%
E62081E060	36"	32"	36"	240	\$ 19,764.00	9,882.00	9,387.90	9,200.14	8,918.51	8,740.13	8,472.58	10,870.20	988.20
E62401E060	36"	32"	36"	240	\$ 19,764.00	9,882.00	9,387.90	9,200.14	8,918.51	8,740.13	8,472.58	10,870.20	988.20
E62083E100	36"	32"	36"	240	\$ 20,573.00	10,286.50	9,772.18	9,576.73	9,283.57	9,097.89	8,819.39	11,315.15	1,028.65
E62403E110	36"	32"	36"	240	\$ 20,573.00	10,286.50	9,772.18	9,576.73	9,283.57	9,097.89	8,819.39	11,315.15	1,028.65
E64403E120	36"	32"	36"	240	\$ 20,170.00	10,085.00	9,580.75	9,389.14	9,101.71	8,919.68	8,646.63	11,093.50	1,008.50
E62403E130	36"	32"	36"	240	\$ 20,573.00	10,286.50	9,772.18	9,576.73	9,283.57	9,097.89	8,819.39	11,315.15	1,028.65
E64803E140	36"	32"	36"	240	\$ 20,573.00	10,286.50	9,772.18	9,576.73	9,283.57	9,097.89	8,819.39	11,315.15	1,028.65
E62083E150	36"	32"	36"	240	\$ 21,387.00	10,693.50	10,158.83	9,955.65	9,650.88	9,457.87	9,168.34	11,762.85	1,069.35
E62081E060 SGL	36"	32"	85"	290	\$ 22,189.00	11,094.50	10,539.78	10,328.98	10,012.79	9,812.53	9,512.15	12,203.95	
E62401E060 SGL	36"	32"	85"	290	\$ 22,189.00	11,094.50	10,539.78	10,328.98	10,012.79	9,812.53	9,512.15	12,203.95	
E62083E100 SGL	36"	32"	85"	290	\$ 22,998.00	11,499.00	10,924.05	10,705.57	10,377.85	10,170.29	9,858.96	12,648.90	
E62403E110 SGL	36"	32"	85"	290	\$ 22,998.00	11,499.00	10,924.05	10,705.57	10,377.85	10,170.29	9,858.96	12,648.90	
E64403E120 SGL	36"	32"	85"	290	\$ 22,595.00	11,297.50	10,732.63	10,517.97	10,195.99	9,992.07	9,686.19	12,427.25	
E62403E130 SGL	36"	32"	85"	290	\$ 22,998.00	11,499.00	10,924.05	10,705.57	10,377.85	10,170.29	9,858.96	12,648.90	
E64803E140 SGL	36"	32"	85"	290	\$ 22,998.00	11,499.00	10,924.05	10,705.57	10,377.85	10,170.29	9,858.96	12,648.90	
E62083E150 SGL	36"	32"	85"	290	\$ 23,812.00	11,906.00	11,310.70	11,084.49	10,745.17	10,530.26	10,207.91	13,096.60	
E62081E060 DBL	36"	32"	85"	530	\$ 42,769.00	21,384.50	20,315.28	19,908.97	19,299.51	18,913.52	18,334.54	23,522.95	
E62401E060 DBL	36"	32"	85"	530	\$ 42,769.00	21,384.50	20,315.28	19,908.97	19,299.51	18,913.52	18,334.54	23,522.95	
E62083E100 DBL	36"	32"	85"	530	\$ 44,387.00	22,193.50	21,083.83	20,662.15	20,029.63	19,629.04	19,028.15	24,412.85	
E62403E110 DBL	36"	32"	85"	530	\$ 44,387.00	22,193.50	21,083.83	20,662.15	20,029.63	19,629.04	19,028.15	24,412.85	
E64403E120 DBL	36"	32"	85"	530	\$ 43,581.00	21,790.50	20,700.98	20,286.96	19,665.93	19,272.61	18,682.63	23,969.55	
E62403E130 DBL	36"	32"	85"	530	\$ 44,387.00	22,193.50	21,083.83	20,662.15	20,029.63	19,629.04	19,028.15	24,412.85	
E64803E140 DBL	36"	32"	85"	530	\$ 44,387.00	22,193.50	21,083.83	20,662.15	20,029.63	19,629.04	19,028.15	24,412.85	
E62083E150 DBL	36"	32"	85"	530	\$ 46,015.00	23,007.50	21,857.13	21,419.98	20,764.27	20,348.98	19,726.06	25,308.25	

Evolution Natural or Propane Gas 6-Pan Steamer Connectionless (ND)														
Model	Input	Width	Depth	Height	(lb.)	List Price	Dealer 50%	50/5%	50/5/2%	50/5/5%	50/5/2/5%	50/5/5/5%	Pricing	Charge -
N61201D060	60,000	36"	32"	36"	240	\$ 24,182.00	12,091.00	11,486.45	11,256.72	10,912.13	10,693.88	10,366.52	13,300.10	1,209.10
P61201D060	60,000	36"	32"	36"	240	\$ 24,182.00	12,091.00	11,486.45	11,256.72	10,912.13	10,693.88	10,366.52	13,300.10	1,209.10
N61201D060 SGL	60,000	36"	32"	85"	250	\$ 26,607.00	13,303.50	12,638.33	12,385.56	12,006.41	11,766.28	11,406.09		
P61201D060 SGL	60,000	36"	32"	85"	250	\$ 26,607.00	13,303.50	12,638.33	12,385.56	12,006.41	11,766.28	11,406.09		
N61201D060 DBL	60,000	36"	32"	85"	530	\$ 51,605.00	25,802.50	24,512.38	24,022.13	23,286.76	22,821.02	22,122.42		
P61201D060 DBL	60,000	36"	32"	85"	530	\$ 51,605.00	25,802.50	24,512.38	24,022.13	23,286.76	22,821.02	22,122.42		
Evolution Natural or Propane Gas 6-Pan Steamer Connected (NE)														
N61201E060	60,000	36"	32"	36"	240	\$ 25,527.00	12,763.50	12,125.33	11,882.82	11,519.06	11,288.68	10,943.11	14,039.85	1,276.35
P61201E060	60,000	36"	32"	36"	240	\$ 25,527.00	12,763.50	12,125.33	11,882.82	11,519.06	11,288.68	10,943.11	14,039.85	1,276.35
N61201E060 SGL	60,000	36"	32"	85"	250	\$ 27,952.00	13,976.00	13,277.20	13,011.66	12,613.34	12,361.07	11,982.67		
P61201E060 SGL	60,000	36"	32"	85"	250	\$ 27,952.00	13,976.00	13,277.20	13,011.66	12,613.34	12,361.07	11,982.67		
N61201E060 DBL	60,000	36"	32"	85"	530	\$ 54,295.00	27,147.50	25,790.13	25,274.32	24,500.62	24,010.61	23,275.59		
P61201E060 DBL	60,000	36"	32"	85"	530	\$ 54,295.00	27,147.50	25,790.13	25,274.32	24,500.62	24,010.61	23,275.59		

Stand Options for Gas Steamers

N6/P61201D060 SGL	Standard: SNH-10-00 (Bullet Feet) SNH-11-00 (Casters) SNH-13-00 (Flanged Feet)
N6/P61201E060 SGL	
N6/P61201D060 DBL	Standard: SNH-20-01 (Bullet Feet) SNH-21-01 (Casters) SNH-21-06 (Casters) Gas "D" Only SNH-23-01 (Flanged Feet)
N6/P61201E060 DBL	

Stand for Single Steamer										
Model	Description	Weight	List Price	50%	50/5%	50/5/2%	50/5/5%	50/5/2/5%	50/5/5/5%	Pricing
SNH-10-00	Standard Single unit with shelf and bullet feet	50	\$ 2,425.00	1,212.50	1,151.88	1,128.84	1,094.28	1,072.40	1,039.57	1,333.75
SNH-11-00	Standard Single unit with shelf and casters	50	\$ 2,425.00	1,212.50	1,151.88	1,128.84	1,094.28	1,072.40	1,039.57	1,333.75
SNH-13-00	Standard Single unit with shelf and flanged feet	50	\$ 2,425.00	1,212.50	1,151.88	1,128.84	1,094.28	1,072.40	1,039.57	1,333.75
Stand for 2 Doublestacked Steamers										
SNH-20-01	Ergo Low Double unit and bullet feet	50	\$ 3,241.00	1,620.50	1,539.48	1,508.69	1,462.50	1,433.25	1,389.38	1,782.55
SNH-20-07	Ergo Low Double 3-Pan unit and bullet feet	50	\$ 3,241.00	1,620.50	1,539.48	1,508.69	1,462.50	1,433.25	1,389.38	1,782.55
SNH-21-01	Ergo Low Double unit and casters	50	\$ 3,241.00	1,620.50	1,539.48	1,508.69	1,462.50	1,433.25	1,389.38	1,782.55
SNH-21-06	Ergo Low Double unit and casters- Gas "D" Only	50	\$ 3,241.00	1,620.50	1,539.48	1,508.69	1,462.50	1,433.25	1,389.38	1,782.55
SNH-21-07	Ergo Low Double 3-Pan unit and casters	50	\$ 3,241.00	1,620.50	1,539.48	1,508.69	1,462.50	1,433.25	1,389.38	1,782.55
SNH-23-01	Ergo Low Double unit and flanged feet	50	\$ 3,241.00	1,620.50	1,539.48	1,508.69	1,462.50	1,433.25	1,389.38	1,782.55
SNH-23-06	Ergo Low Double unit and flanged feet Gas "D" Only	50	\$ 3,241.00	1,620.50	1,539.48	1,508.69	1,462.50	1,433.25	1,389.38	1,782.55
SNH-23-07	Ergo Low Double 3-Pan unit and flanged feet	50	\$ 3,241.00	1,620.50	1,539.48	1,508.69	1,462.50	1,433.25	1,389.38	1,782.55
Stand for 3 Triplestacked Steamers										
SNH-30-01	Ergo Low Double 3-Pan unit and bullet feet	50	\$ 4,150.00	2,075.00	1,971.25	1,931.83	1,872.69	1,835.23	1,779.05	2,282.50
SNH-31-01	Ergo Low Double 3-Pan unit and casters	50	\$ 4,150.00	2,075.00	1,971.25	1,931.83	1,872.69	1,835.23	1,779.05	2,282.50
SNH-33-01	Ergo Low Double 3-Pan unit and flanged feet	50	\$ 4,150.00	2,075.00	1,971.25	1,931.83	1,872.69	1,835.23	1,779.05	2,282.50
Support Legs for Countertop Installation Steamer										
AT1A-3030-1	Bullet Feet, Adjustable (set of four)	7.5	\$ 292.00	146.00	138.70	135.93	131.77	129.13	125.18	160.60
AT1A-3030-6	Flange Feet (set of four)	8.5	\$ 400.00	200.00	190.00	186.20	180.50	176.89	171.48	220.00
Steamer Accessories										
PAN-3004-2	Drain Pan, 4" Deep (12" x 20" x 4")	2	\$ 120.00	60.00	57.00	55.86	54.15	53.07	51.44	66.00
PAN-30022	Pan, 2.5" Full Size Solid	1	\$ 106.00	53.00	50.35	49.34	47.83	46.88	45.44	58.30
PAN-30023	Pan, 2.5" Full Size Perforated	1	\$ 106.00	53.00	50.35	49.34	47.83	46.88	45.44	58.30
AT1A-PK	Corrections Pkg - SNH ONLY (1 piece slides & tamper resistant screws)	No wt change	\$ 1,091.00	545.50	518.23	507.86	492.31	482.47	467.70	600.05
AT1A-3572-3	Corrections Pkg - CONNECTIONLESS ONLY	No wt change	\$ 1,017.00	508.50	483.08	473.41	458.92	449.74	435.98	559.35
AT1A-3572-4	Corrections Pkg - CONNECTED ONLY	No wt change	\$ 1,017.00	508.50	483.08	473.41	458.92	449.74	435.98	559.35
AT1A-3155-1	Drain Pan, 2.5" Deep (with elbow)	2.5	\$ 403.00	201.50	191.43	187.60	181.85	178.22	172.76	221.65
AT1A-3809-1	Drain Kit, Elec Evolution & SNH II W/ Drip Pan FIELD CONVERSION Evo Prior S/N 58695 SNH II Prior S/N 58718	1	\$ 1,054.00	527.00	500.65	490.64	475.62	466.11	451.84	579.70
AT1A-3809-2	Drain Kit, Elec Evolution & SNH II- No Drip Pan Evo S/N Prior To S/N 58695 SNH II S/N Prior To S/N 58718 SERVICE PARTS	1	\$ 983.00	491.50	466.93	457.59	443.58	434.71	421.40	540.65
AT1A-3809-3	Drain Kit, Elec Evolution & SNH II W/ Drip Pan FIELD CONVERSION	1	\$ 550.00	275.00	261.25	256.03	248.19	243.22	235.78	302.50
AT1A-3809-4	Drain Kit, Elec Evolution & SNH II, No Drip Pan SERVICE PARTS	1	\$ 150.00	75.00	71.25	69.83	67.69	66.33	64.30	82.50
AT1A-4280-2	CONDENSER, AIR COOLED ASSEMBLY-EVOLUTION ONLY		\$ 3,388.00	1,694.00	1,609.30	1,577.11	1,528.84	1,498.26	1,452.39	1,863.40
AT1A-4332-1	AIR COOLER CONDENSER MOUNTING KIT		\$ 358.00	179.00	170.05	166.65	161.55	158.32	153.47	196.90
AT1A-4332-2	AIR COOLER CONDENSER MOUNTING KIT		\$ 363.00	181.50	172.43	168.98	163.80	160.53	155.61	199.65
AT1A-6649-1	Drain Kit, Gas Evolution W/ Drip Pan Prior S/N 58721 FIELD CONVERSION	1	\$ 803.00	401.50	381.43	373.80	362.35	355.11	344.24	441.65
AT1A-6649-2	Drain Kit, Gas Evolution No Drip Pan Prior S/N 58721 SERVICE PARTS	1	\$ 429.00	214.50	203.78	199.70	193.59	189.71	183.91	235.95
AT1A-6649-3	Drain Kit, Gas Evolution W/ Drip Pan FIELD CONVERSION	1	\$ 778.00	389.00	369.55	362.16	351.07	344.05	333.52	427.90
AT1A-6649-4	Drain Kit, Gas Evolution No Drip Pan SERVICE PARTS	1	\$ 402.00	201.00	190.95	187.13	181.40	177.77	172.33	221.10
AT2K-2467-3	Gas Quick Connect with Multi Plane Swivel	10	\$ 1,595.00	797.50	757.63	742.47	719.74	705.35	683.76	877.25
AT2Z-4440-2	Drain Tempering Kit	20	\$ 2,645.00	1,322.50	1,256.38	1,231.25	1,193.56	1,169.69	1,133.88	1,454.75
Misc. Pricing										
	Price to Convert from "D" to "E"		\$ 1,064.00							
	Steamer Extended Coverage (Repair Only)		\$ 1,100.00							
	Steamer Extended Coverage (Recondition Only)		\$ 2,475.00							
	Steamer Extended Coverage (Remanufactured)		\$ 4,675.00							

Electric Griddles

Model	kW	Width	Depth	(lb.)	List Price	Dealer 50%	Dealer 50/5%	50/5/2%	50/5/5%	50/5/2/5%	50/5/5/5%	Pricing	5% of List Price
EGF2083A2450-T1	9.6	30"	43"	267	\$ 17,746.00	8,873.00	8,429.35	8,260.76	8,007.88	7,847.72	7,607.49	9,760.30	887.30
EGF2083A2450-S2	9.6	30"	43"	302	\$ 20,337.00	10,168.50	9,660.08	9,466.87	9,177.07	8,993.53	8,718.22	11,185.35	1,016.85
EGF2083B2450-T1	9.6	30"	43"	267	\$ 17,231.00	8,615.50	8,184.73	8,021.03	7,775.49	7,619.98	7,386.71	9,477.05	861.55
EGF2083B2450-T1/2XLR8	9.6	30"	43"	457	\$ 48,721.00	24,360.50	23,142.48	22,679.63	21,985.35	21,545.64	20,886.08	26,796.55	2,436.05
EGF2083B2450-S2	9.6	30"	43"	302	\$ 19,822.00	9,911.00	9,415.45	9,227.14	8,944.68	8,765.78	8,497.44	10,902.10	991.10
EGF2083B2450-S2/2XLR8	9.6	30"	43"	492	\$ 51,312.00	25,656.00	24,373.20	23,885.74	23,154.54	22,691.45	21,996.81	28,221.60	2,565.60
EGF2401A2450-T1	9.6	30"	43"	267	\$ 17,911.00	8,955.50	8,507.73	8,337.57	8,082.34	7,920.69	7,678.22	9,851.05	895.55
EGF2401A2450-S2	9.6	30"	43"	302	\$ 20,502.00	10,251.00	9,738.45	9,543.68	9,251.53	9,066.50	8,788.95	11,276.10	1,025.10
EGF2401B2450-T1	9.6	30"	43"	267	\$ 17,394.00	8,697.00	8,262.15	8,096.91	7,849.04	7,692.06	7,456.59	9,566.70	869.70
EGF2401B2450-S2	9.6	30"	43"	302	\$ 19,985.00	9,992.50	9,492.88	9,303.02	9,018.23	8,837.87	8,567.32	10,991.75	999.25
EGF2403A2450-T1	9.6	30"	43"	267	\$ 17,911.00	8,955.50	8,507.73	8,337.57	8,082.34	7,920.69	7,678.22	9,851.05	895.55
EGF2403A2450-S2	9.6	30"	43"	302	\$ 20,502.00	10,251.00	9,738.45	9,543.68	9,251.53	9,066.50	8,788.95	11,276.10	1,025.10
EGF2403B2450-T1	9.6	30"	43"	267	\$ 17,394.00	8,697.00	8,262.15	8,096.91	7,849.04	7,692.06	7,456.59	9,566.70	869.70
EGF2403B2450-S2	9.6	30"	43"	302	\$ 19,985.00	9,992.50	9,492.88	9,303.02	9,018.23	8,837.87	8,567.32	10,991.75	999.25
EGF4803A2450-T1	9.6	30"	43"	267	\$ 19,629.00	9,814.50	9,323.78	9,137.30	8,857.59	8,680.43	8,414.71	10,795.95	981.45
EGF4803A2450-S2	9.6	30"	43"	302	\$ 22,220.00	11,110.00	10,554.50	10,343.41	10,026.78	9,826.24	9,525.44	12,221.00	1,111.00
EGF4803B2450-T1	9.6	30"	43"	267	\$ 18,959.00	9,479.50	9,005.53	8,825.41	8,555.25	8,384.14	8,127.49	10,427.45	947.95
EGF4803B2450-S2	9.6	30"	43"	302	\$ 21,550.00	10,775.00	10,236.25	10,031.53	9,724.44	9,529.95	9,238.22	11,852.50	1,077.50
Electric Griddles (36" Bun and Tortilla Toaster)													
EGF2083A3650-T1	14.3	42"	43"	351	\$ 19,160.00	9,580.00	9,101.00	8,918.98	8,645.95	8,473.03	8,213.65	10,538.00	958.00
EGF2083A3650-S2	14.3	42"	43"	395	\$ 22,163.00	11,081.50	10,527.43	10,316.88	10,001.05	9,801.03	9,501.00	12,189.65	1,108.15
EGF2083B3650-T1	14.3	42"	43"	351	\$ 18,390.00	9,195.00	8,735.25	8,560.55	8,298.49	8,132.52	7,883.56	10,114.50	919.50
EGF2083B3650-S2	14.3	42"	43"	395	\$ 21,393.00	10,696.50	10,161.68	9,958.44	9,653.59	9,460.52	9,170.91	11,766.15	1,069.65
EGF2403A3650-T1	14.3	42"	43"	351	\$ 19,160.00	9,580.00	9,101.00	8,918.98	8,645.95	8,473.03	8,213.65	10,538.00	958.00
EGF2403A3650-S2	14.3	42"	43"	395	\$ 22,163.00	11,081.50	10,527.43	10,316.88	10,001.05	9,801.03	9,501.00	12,189.65	1,108.15
EGF2403B3650-T1	14.3	42"	43"	351	\$ 18,390.00	9,195.00	8,735.25	8,560.55	8,298.49	8,132.52	7,883.56	10,114.50	919.50
EGF2403B3650-S2	14.3	42"	43"	395	\$ 21,393.00	10,696.50	10,161.68	9,958.44	9,653.59	9,460.52	9,170.91	11,766.15	1,069.65
EGF4803A3650-T1	14.3	42"	43"	351	\$ 20,889.00	10,444.50	9,922.28	9,723.83	9,426.16	9,237.64	8,954.85	11,488.95	1,044.45
EGF4803A3650-S2	14.3	42"	43"	395	\$ 23,892.00	11,946.00	11,348.70	11,121.73	10,781.27	10,565.64	10,242.20	13,140.60	1,194.60
EGF4803B3650-T1	14.3	42"	43"	351	\$ 20,102.00	10,051.00	9,548.45	9,357.48	9,071.03	8,889.61	8,617.48	11,056.10	1,005.10
EGF4803B3650-S2	14.3	42"	43"	395	\$ 23,105.00	11,552.50	10,974.88	10,755.38	10,426.13	10,217.61	9,904.82	12,707.75	1,155.25
Electric Griddles (24" Bun and Tortilla Toaster)													
EGF2083A4850-T1	14.3	55"	43"	416	\$ 21,455.00	10,727.50	10,191.13	9,987.30	9,681.57	9,487.94	9,197.49	11,800.25	1,072.75
EGF2083A4850-S2	14.3	55"	43"	470	\$ 24,697.00	12,348.50	11,731.08	11,496.45	11,144.52	10,921.63	10,587.30	13,583.35	1,234.85
EGF2083B4850-T1	14.3	55"	43"	437	\$ 20,421.00	10,210.50	9,699.98	9,505.98	9,214.98	9,030.68	8,754.23	11,231.55	1,021.05
EGF2083B4850-S2	14.3	55"	43"	482	\$ 23,663.00	11,831.50	11,239.93	11,015.13	10,677.93	10,464.37	10,144.03	13,014.65	1,183.15
EGF2403A4850-T1	14.3	55"	43"	437	\$ 21,455.00	10,727.50	10,191.13	9,987.30	9,681.57	9,487.94	9,197.49	11,800.25	1,072.75
EGF2403A4850-S2	14.3	55"	43"	482	\$ 24,697.00	12,348.50	11,731.08	11,496.45	11,144.52	10,921.63	10,587.30	13,583.35	1,234.85
EGF2403B4850-T1	14.3	55"	43"	437	\$ 20,421.00	10,210.50	9,699.98	9,505.98	9,214.98	9,030.68	8,754.23	11,231.55	1,021.05
EGF2403B4850-S2	14.3	55"	43"	482	\$ 23,663.00	11,831.50	11,239.93	11,015.13	10,677.93	10,464.37	10,144.03	13,014.65	1,183.15
EGF4803A4850-T1	14.3	55"	43"	437	\$ 23,325.00	11,662.50	11,079.38	10,857.79	10,525.41	10,314.90	9,999.14	12,828.75	1,166.25
EGF4803A4850-S2	14.3	55"	43"	482	\$ 26,567.00	13,283.50	12,619.33	12,366.94	11,988.36	11,748.59	11,388.94	14,611.85	1,328.35
EGF4803B4850-T1	14.3	55"	43"	437	\$ 22,208.00	11,104.00	10,548.80	10,337.82	10,021.36	9,820.93	9,520.29	12,214.40	1,110.40
EGF4803B4850-S2	14.3	55"	43"	482	\$ 25,450.00	12,725.00	12,088.75	11,846.98	11,484.31	11,254.63	10,910.10	13,997.50	1,272.50
Electric Griddles (24" Bun and Tortilla Toaster)													
ETH2083A2450-T1	9.6	30"	43"	230	\$ 17,397.00	8,698.50	8,263.58	8,098.30	7,850.40	7,693.39	7,457.88	9,568.35	869.85
ETH2083A2450-S2	9.6	30"	43"	280	\$ 19,988.00	9,994.00	9,494.30	9,304.41	9,019.59	8,839.19	8,568.61	10,993.40	999.40

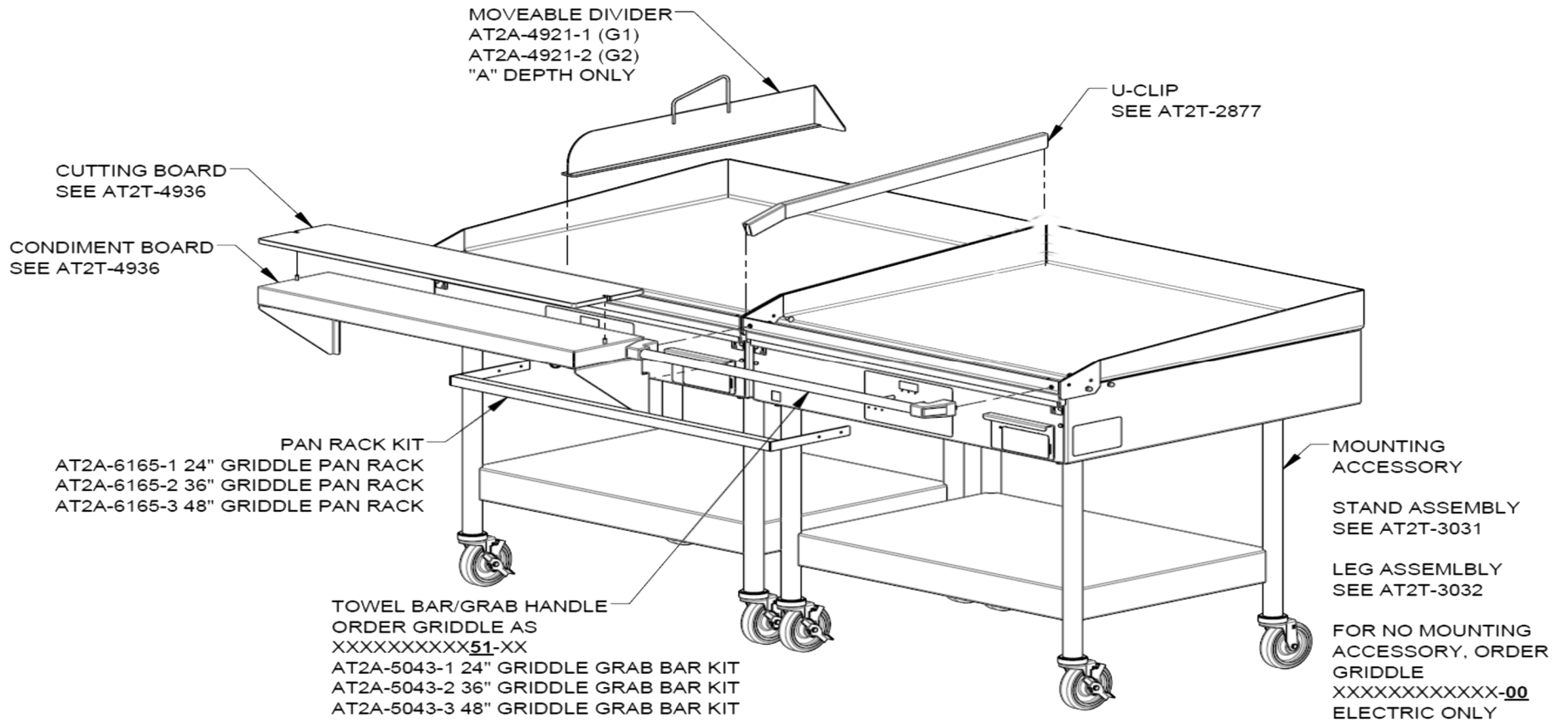
Standard Drop-In Electric Griddles

Model	kW	Width	Depth	(lb.)	List Price	Dealer 50%	Dealer 50/5%	50/5/2%	50/5/5%	50/5/2/5%	50/5/5/5%	Pricing	Charge 5%
EGD2083B3650-C0	14.3	36"	24"	272	\$ 19,585.00	9,792.50	9,302.88	9,116.82	8,837.73	8,660.98	8,395.84	10,771.75	979.25
EGD2083B3650-L0	14.3	36"	24"	272	\$ 19,585.00	9,792.50	9,302.88	9,116.82	8,837.73	8,660.98	8,395.84	10,771.75	979.25
EGD2083B3650-R0	14.3	36"	24"	272	\$ 19,585.00	9,792.50	9,302.88	9,116.82	8,837.73	8,660.98	8,395.84	10,771.75	979.25
EGD2403B3650-C0	14.3	36"	24"	272	\$ 19,585.00	9,792.50	9,302.88	9,116.82	8,837.73	8,660.98	8,395.84	10,771.75	979.25
EGD2403B3650-L0	14.3	36"	24"	272	\$ 19,585.00	9,792.50	9,302.88	9,116.82	8,837.73	8,660.98	8,395.84	10,771.75	979.25
EGD2403B3650-R0	14.3	36"	24"	272	\$ 19,585.00	9,792.50	9,302.88	9,116.82	8,837.73	8,660.98	8,395.84	10,771.75	979.25
EGD4803B3650-C0	14.3	36"	24"	272	\$ 20,107.00	10,053.50	9,550.83	9,359.81	9,073.28	8,891.82	8,619.62	11,058.85	1,005.35
EGD4803B3650-L0	14.3	36"	24"	272	\$ 20,107.00	10,053.50	9,550.83	9,359.81	9,073.28	8,891.82	8,619.62	11,058.85	1,005.35
EGD4803B3650-R0	14.3	36"	24"	272	\$ 20,107.00	10,053.50	9,550.83	9,359.81	9,073.28	8,891.82	8,619.62	11,058.85	1,005.35
Compact Drop-In Electric Griddles													
EGD2083B4850-C0	14.3	49"	24"	336	\$ 21,641.00	10,820.50	10,279.48	10,073.89	9,765.50	9,570.19	9,277.23	11,902.55	1,082.05
EGD2083B4850-L0	14.3	49"	24"	336	\$ 21,641.00	10,820.50	10,279.48	10,073.89	9,765.50	9,570.19	9,277.23	11,902.55	1,082.05
EGD2083B4850-R0	14.3	49"	24"	336	\$ 21,641.00	10,820.50	10,279.48	10,073.89	9,765.50	9,570.19	9,277.23	11,902.55	1,082.05
EGD2403B4850-C0	14.3	49"	24"	336	\$ 21,641.00	10,820.50	10,279.48	10,073.89	9,765.50	9,570.19	9,277.23	11,902.55	1,082.05
EGD2403B4850-L0	14.3	49"	24"	336	\$ 21,641.00	10,820.50	10,279.48	10,073.89	9,765.50	9,570.19	9,277.23	11,902.55	1,082.05
EGD2403B4850-R0	14.3	49"	24"	336	\$ 21,641.00	10,820.50	10,279.48	10,073.89	9,765.50	9,570.19	9,277.23	11,902.55	1,082.05
EGD4803B4850-C0	14.3	49"	24"	336	\$ 22,231.00	11,115.50	10,559.73	10,348.53	10,031.74	9,831.10	9,530.15	12,227.05	1,111.55
EGD4803B4850-L0	14.3	49"	24"	336	\$ 22,231.00	11,115.50	10,559.73	10,348.53	10,031.74	9,831.10	9,530.15	12,227.05	1,111.55
EGD4803B4850-R0	14.3	49"	24"	336	\$ 22,231.00	11,115.50	10,559.73	10,348.53	10,031.74	9,831.10	9,530.15	12,227.05	1,111.55
Compact Drop-In Electric Griddles													
EGD2083D2197-00	5	21"	17"	200	\$ 22,494.00	11,247.00	10,684.65	10,470.96	10,150.42	9,947.41	9,642.90	12,371.70	1,124.70
EGD2083D2797-00	5	27"	17"	200	\$ 26,078.00	13,039.00	12,387.05	12,139.31	11,767.70	11,532.34	11,179.31	14,342.90	1,303.90

Natural or Propane Gas Griddles with Regulator (4" legs standard)

Model	Power Input	Width	Depth	(lb.)	List Price	Dealer 50%	Dealer 50/5%	50/5/2%	50/5/5%	50/5/2/5%	50/5/5/5%	Pricing	5% of List Price
GGF1201A2450-T1	42,300 BTU / hr.	30"	43	270	\$ 19,705.00	9,852.50	9,359.88	9,172.68	8,891.88	8,714.04	8,447.29	10,837.75	985.25
PGF1201A2450-T1	42,300 BTU / hr.	30"	43	270	\$ 19,705.00	9,852.50	9,359.88	9,172.68	8,891.88	8,714.04	8,447.29	10,837.75	985.25
GGF1201A2450-S2	42,300 BTU / hr.	30"	43	325	\$ 22,296.00	11,148.00	10,590.60	10,378.79	10,061.07	9,859.85	9,558.02	12,262.80	1,114.80
PGF1201A2450-S2	42,300 BTU / hr.	30"	43	325	\$ 22,296.00	11,148.00	10,590.60	10,378.79	10,061.07	9,859.85	9,558.02	12,262.80	1,114.80
GGF1201B2450-T1	42,300 BTU / hr.	30"	43	270	\$ 19,364.00	9,682.00	9,197.90	9,013.94	8,738.01	8,563.24	8,301.10	10,650.20	968.20
PGF1201B2450-T1	42,300 BTU / hr.	30"	43	270	\$ 19,364.00	9,682.00	9,197.90	9,013.94	8,738.01	8,563.24	8,301.10	10,650.20	968.20
GGF1201B2450-T1/2XLR8	42,300 BTU / hr.	30"	43	460	\$ 50,854.00	25,427.00	24,155.65	23,672.54	22,947.87	22,488.91	21,800.47	27,969.70	2,542.70
GGF1201B2450-S2	42,300 BTU / hr.	30"	43	325	\$ 21,955.00	10,977.50	10,428.63	10,220.05	9,907.19	9,709.05	9,411.83	12,075.25	1,097.75
PGF1201B2450-S2	42,300 BTU / hr.	30"	43	325	\$ 21,955.00	10,977.50	10,428.63	10,220.05	9,907.19	9,709.05	9,411.83	12,075.25	1,097.75
GGF1201B2450-S2/2XLR8	42,300 BTU / hr.	30"	43	515	\$ 53,445.00	26,722.50	25,386.38	24,878.65	24,117.06	23,634.72	22,911.20	29,394.75	2,672.25
GGF1201A3650-T1													
GGF1201A3650-T1	70,000 BTU / hr.	42"	43"	370	\$ 21,710.00	10,855.00	10,312.25	10,106.01	9,796.64	9,600.70	9,306.81	11,940.50	1,085.50
PGF1201A3650-T1	70,000 BTU / hr.	42"	43"	370	\$ 21,710.00	10,855.00	10,312.25	10,106.01	9,796.64	9,600.70	9,306.81	11,940.50	1,085.50
GGF1201A3650-S2	70,000 BTU / hr.	42"	43"	450	\$ 24,713.00	12,356.50	11,738.68	11,503.90	11,151.74	10,928.71	10,594.15	13,592.15	1,235.65
PGF1201A3650-S2	70,000 BTU / hr.	42"	43"	450	\$ 24,713.00	12,356.50	11,738.68	11,503.90	11,151.74	10,928.71	10,594.15	13,592.15	1,235.65
GGF1201B3650-T1	70,000 BTU / hr.	42"	43"	370	\$ 20,913.00	10,456.50	9,933.68	9,735.00	9,436.99	9,248.25	8,965.14	11,502.15	1,045.65
PGF1201B3650-T1	70,000 BTU / hr.	42"	43"	370	\$ 20,913.00	10,456.50	9,933.68	9,735.00	9,436.99	9,248.25	8,965.14	11,502.15	1,045.65
GGF1201B3650-S2	70,000 BTU / hr.	42"	43"	450	\$ 23,916.00	11,958.00	11,360.10	11,132.90	10,792.10	10,576.25	10,252.49	13,153.80	1,195.80
PGF1201B3650-S2	70,000 BTU / hr.	42"	43"	450	\$ 23,916.00	11,958.00	11,360.10	11,132.90	10,792.10	10,576.25	10,252.49	13,153.80	1,195.80
GGF1201A4850-T1													
GGF1201A4850-T1	85,000 BTU / hr.	55"	43"	500	\$ 24,624.00	12,312.00	11,696.40	11,462.47	11,111.58	10,889.35	10,556.00	13,543.20	1,231.20
PGF1201A4850-T1	85,000 BTU / hr.	55"	43"	500	\$ 24,624.00	12,312.00	11,696.40	11,462.47	11,111.58	10,889.35	10,556.00	13,543.20	1,231.20
GGF1201A4850-S2	85,000 BTU / hr.	55"	43"	575	\$ 27,866.00	13,933.00	13,236.35	12,971.62	12,574.53	12,323.04	11,945.81	15,326.30	1,393.30
PGF1201A4850-S2	85,000 BTU / hr.	55"	43"	575	\$ 27,866.00	13,933.00	13,236.35	12,971.62	12,574.53	12,323.04	11,945.81	15,326.30	1,393.30
GGF1201B4850-T1	85,000 BTU / hr.	55"	43"	500	\$ 23,561.00	11,780.50	11,191.48	10,967.65	10,631.90	10,419.26	10,100.31	12,958.55	1,178.05
PGF1201B4850-T1	85,000 BTU / hr.	55"	43"	500	\$ 23,561.00	11,780.50	11,191.48	10,967.65	10,631.90	10,419.26	10,100.31	12,958.55	1,178.05
GGF1201B4850-S2	85,000 BTU / hr.	55"	43"	575	\$ 26,803.00	13,401.50	12,731.43	12,476.80	12,094.85	11,852.96	11,490.11	14,741.65	1,340.15
PGF1201B4850-S2	85,000 BTU / hr.	55"	43"	575	\$ 26,803.00	13,401.50	12,731.43	12,476.80	12,094.85	11,852.96	11,490.11	14,741.65	1,340.15

GRIDDLE ACCESSORIES



Standard Support Stand with 5" Casters

Model	Model	Description	(lb.)	List Price	Dealer 50%	50/5%	50/5/2%	50/5/5%	50/5/2/5%	50/5/5/5%	Pricing
AT2A-3031-1	S2	Single Shelf Stand, 24" Griddle Width, A&B Depth	66	\$ 2,591.00	1,295.50	1,230.73	1,206.11	1,169.19	1,145.80	1,110.73	1,425.05
AT2A-3031-2	S2	Single Shelf Stand, 36" Griddle Width, A&B Depth	70	\$ 3,003.00	1,501.50	1,426.43	1,397.90	1,355.10	1,328.00	1,287.35	1,651.65
AT2A-3031-3	S2	Single Shelf Stand, 48" Griddle Width, A&B Depth	75	\$ 3,242.00	1,621.00	1,539.95	1,509.15	1,462.95	1,433.69	1,389.80	1,783.10

Premium Support Stand with 5" Casters

AT2A-2706-12		Double Shelf Stand, 48" Griddle Width, A&B Depth	75	\$ 5,411.00	2,705.50	2,570.23	2,518.82	2,441.71	2,392.88	2,319.63	2,976.05
--------------	--	--	----	-------------	----------	----------	----------	----------	----------	----------	----------

Standard Support Stand with Flanged Feet

AT2A-3031-9	S3	Single Shelf Stand, 24" Griddle Width, A&B Depth	66	\$ 2,670.00	1,335.00	1,268.25	1,242.89	1,204.84	1,180.74	1,144.60	1,468.50
AT2A-3031-10	S3	Single Shelf Stand, 36" Griddle Width, A&B Depth	70	\$ 3,078.00	1,539.00	1,462.05	1,432.81	1,388.95	1,361.17	1,319.50	1,692.90
AT2A-3031-11	S3	Single Shelf Stand, 48" Griddle Width, A&B Depth	75	\$ 3,259.00	1,629.50	1,548.03	1,517.06	1,470.62	1,441.21	1,397.09	1,792.45

Condiment Board

AT2A-4936-1	Condiment Board 24" Solid	10	\$ 1,110.00	555.00	527.25	516.71	500.89	490.87	475.84	610.50
AT2A-4936-2	Condiment Board 36" Solid	15	\$ 1,229.00	614.50	583.78	572.10	554.59	543.49	526.86	675.95
AT2A-4936-3	Condiment Board 48" Solid	20	\$ 1,346.00	673.00	639.35	626.56	607.38	595.23	577.01	740.30

Condiment Board and Bracket

AT2A-4936-38	Condiment Board and Bracket with Studs 24" Solid	10	\$ 1,120.00	560.00	532.00	521.36	505.40	495.29	480.13	616.00
AT2A-4936-39	Condiment Board and Bracket with Studs 36" Solid	15	\$ 1,237.00	618.50	587.58	575.82	558.20	547.03	530.29	680.35
AT2A-4936-40	Condiment Board and Bracket with Studs 48" Solid	20	\$ 1,352.00	676.00	642.20	629.36	610.09	597.89	579.59	743.60

Cutting Boards

AT2M-2471-1	24" Solid Cutting Board (must order with condiment board: AT2A-4936-38)	5	\$ 418.00	209.00	198.55	194.58	188.62	184.85	179.19	229.90
AT2M-2471-2	36" Solid Cutting Board (must order with condiment board: AT2A-4936-38)	7	\$ 455.00	227.50	216.13	211.80	205.32	201.21	195.05	250.25
AT2M-2471-3	48" Solid Cutting Board (must order with condiment board: AT2A-4936-38)	10	\$ 510.00	255.00	242.25	237.41	230.14	225.53	218.63	280.50

Griddle U-Clip (Serial No. Breaks: (G1) 1000-16513; (G2) 16514-18181; (G2.3) 18182-CURRENT

Model	Description	G1 TO G2	G1 TO G2.3	G2 TO G2.3	G1 TO G1	G2 TO G2	G2.3 TO G2.3	Weight (lb.)	List Price	Dealer 50%	Dealer 50/5%	Dealer 50/5/2%	Dealer 50/5/5%	Dealer 50/5/2/5%	Dealer 50/5/5/5%	Map Pricing
AT2M-2877-2	U Channel Side Clip for connecting two	X	X	X	X		X	4	\$ 386.00	193.00	183.35	179.68	174.18	170.70	165.47	212.30
AT2M-2877-7	G2 U Channel Side Clip for connecting			X		X	X	4	\$ 192.00	96.00	91.20	89.38	86.64	84.91	82.31	105.60
AT2M-2877-8	G2 U Channel Side Clip for connecting			X		X	X	4	\$ 192.00	96.00	91.20	89.38	86.64	84.91	82.31	105.60
AT2M-2877-9	Griddle U-Clip: 24" Back Clip	X	X	X	X	X	X	4	\$ 203.00	101.50	96.43	94.50	91.60	89.77	87.02	111.65
AT2M-2877-10	Griddle U-Clip: 36" Back Clip	X	X	X	X	X	X	4	\$ 235.00	117.50	111.63	109.39	106.04	103.92	100.74	129.25
AT2M-2877-11	Griddle U-Clip: 48" Back Clip	X	X	X	X	X	X	5	\$ 250.00	125.00	118.75	116.38	112.81	110.56	107.17	137.50
AT2M-2877-22	G2 U Channel Side Clip for connecting			X			X	4	\$ 490.00	245.00	232.75	228.10	221.11	216.69	210.06	269.50
Packages																
AT2A-PK	Correctional Package - Tamper Resistant Screws & Locking Grease							0	\$ 1,637.00	818.50	777.58	762.02	738.70	723.92	701.76	900.35
AT2K-2467-3	Gas Quick Connect with Multi Plane Swivel							10	\$ 1,595.00	797.50	757.63	742.47	719.74	705.35	683.76	877.25
Movable Dividers																
AT2A-4921-2	Griddle Moveable Divider "A" Depth Only - G2 Griddle							7	\$ 836.00	418.00	397.10	389.16	377.25	369.70	358.38	459.80
AT2A-4921-3	Griddle Moveable Divider "B" Depth Only - G2 Griddle							7	\$ 770.00	385.00	365.75	358.44	347.46	340.51	330.09	423.50
Replacement Accessories																
AT2H-3517-1	Griddle Cleaning Kit (Fill out form)							0	\$ -	-	-	-	-	-	-	-

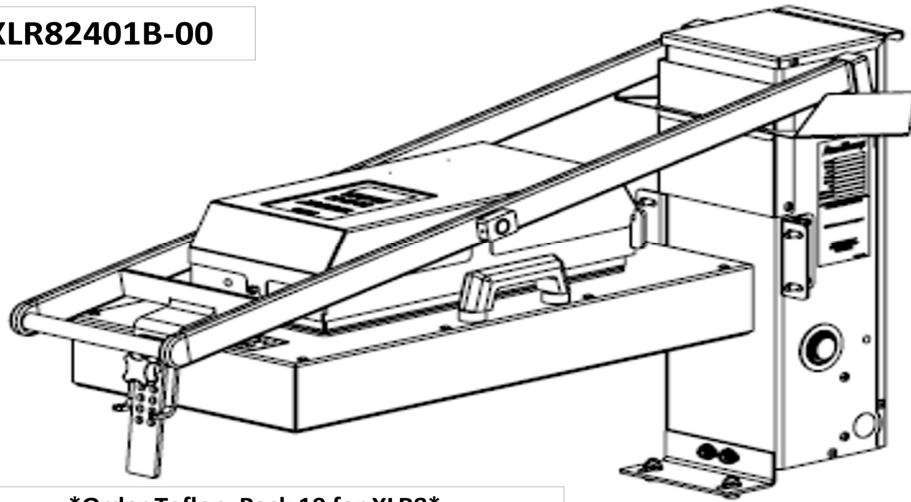
Upper Heated Platen

Model	Description	Weight (lb.)	List Price	Dealer 50%	Dealer 50/5%	Dealer 50/5/2%	Dealer 50/5/5%	Dealer 50/5/2/5%	Dealer 50/5/5/5%	Map Pricing	Warranty Charge 5% of List Price
XLR82401B-00	Arm Assembly with Timer	95	\$ 15,745.00	7,872.50	7,478.88	7,329.30	7,104.93	6,962.83	6,749.68	8,659.75	\$ 787.25

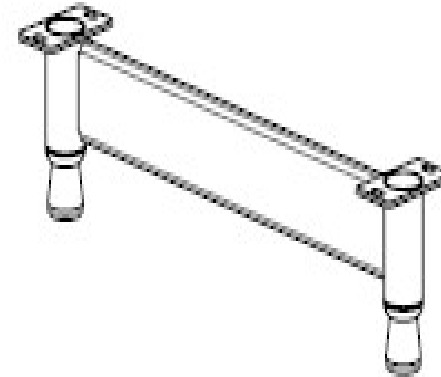
Upper Heated Platen Accessories

AT2A-6374-1	KIT, MOUNTING- 24" ELEC B DEPTH GRIDDLE	15	\$ 1,087.00	543.50	516.33	506.00	490.51	480.70	465.98	489.15	
AT2A-6374-2	KIT, MOUNTING- 36" ELEC B DEPTH GRIDDLE	20	\$ 1,203.00	601.50	571.43	560.00	542.85	532.00	515.71	541.35	
AT2A-6374-3	KIT, MOUNTING- 48" ELEC B DEPTH GRIDDLE	25	\$ 1,362.00	681.00	646.95	634.01	614.60	602.31	583.87	612.90	
AT2A-6374-4	KIT, MOUNTING- 24" GAS B DEPTH GRIDDLE	20	\$ 1,347.00	673.50	639.83	627.03	607.83	595.68	577.44	606.15	
AT2A-6374-5	KIT, MOUNTING- 36" GAS B DEPTH GRIDDLE	25	\$ 1,462.00	731.00	694.45	680.56	659.73	646.53	626.74	657.90	
AT2A-6374-6	KIT, MOUNTING- 48" GAS B DEPTH GRIDDLE	30	\$ 1,622.00	811.00	770.45	755.04	731.93	717.29	695.33	729.90	
AT0H-5661-2	TEFLON SHEET, EACH (MUST ORDER QTY OF 10) (WHITE CASTLE ONLY)		\$ 28.00	14.00	13.30	13.03	12.64	12.38	12.00	12.60	
AT0H-5661-3	TEFLON SHEET, EACH (MUST ORDER QTY OF 10) (UNHEATED BURGER SMASHER)		\$ 32.00	16.00	15.20	14.90	14.44	14.15	13.72	14.40	
AT0H-5661-5	TEFLON SHEET, EACH (MUST ORDER QTY OF 10)		\$ 70.00	35.00	33.25	32.59	31.59	30.96	30.01	31.50	
AT2A-6429-1	KIT, LEG STABILIZATION - 24"	5	\$ 467.00	233.50	221.83	217.39	210.73	206.52	200.20	210.15	
AT2A-6429-2	KIT, LEG STABILIZATION - 36"	7	\$ 499.00	249.50	237.03	232.28	225.17	220.67	213.92	224.55	
AT2A-6429-3	KIT, LEG STABILIZATION - 48"	8	\$ 531.00	265.50	252.23	247.18	239.61	234.82	227.63	238.95	

XLR82401B-00

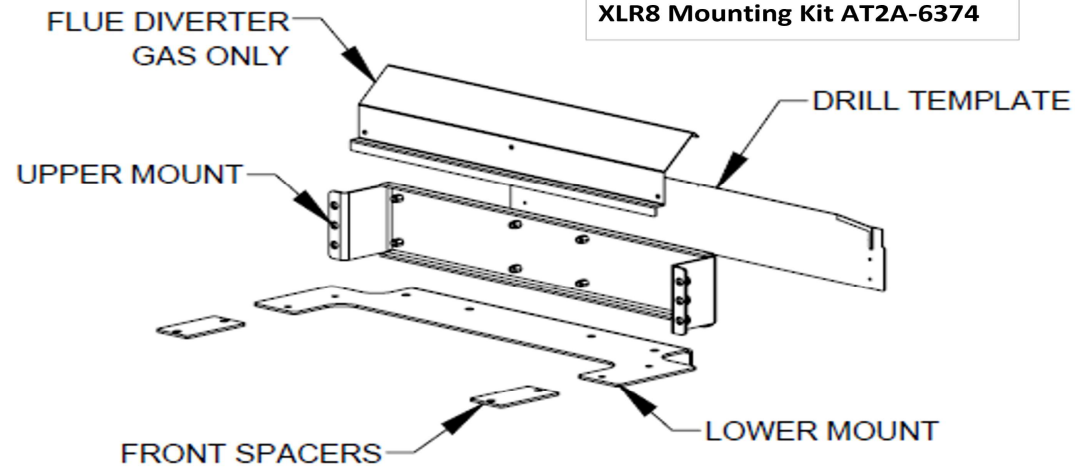


AT2A-6429 Kit, Leg Stabilization



Order Teflon Pack 10 for XLR8

XLR8 Mounting Kit AT2A-6374



Steamer 6-Pan (International Voltages)

Model	kW	Width	Depth	Height	(+4" =	(lb.)	List Price	Dealer 50%	Dealer 50/5%	50/5/2%	50/5/5%	50/5/2/5%	50/5/5/5%	Pricing	5% of List Price
S62301F070	9.6	24"	32"	21"		188	\$ 24,690.00	12,345.00	11,727.75	11,493.20	11,141.36	10,918.54	10,584.29	13,579.50	1,234.50
E62301D070	9.6	24"	31"	31"		231	\$ 19,815.00	9,907.50	9,412.13	9,223.88	8,941.52	8,762.69	8,494.44	10,898.25	990.75
E64005D100		24"	31"	31"		231	\$ 21,136.00	10,568.00	10,039.60	9,838.81	9,537.62	9,346.87	9,060.74	11,624.80	1,056.80
E62301E070	9.6	24"	31"	31"		231	\$ 21,907.00	10,953.50	10,405.83	10,197.71	9,885.53	9,687.82	9,391.26	12,048.85	1,095.35
E62301E070 SGL	9.6	24"	31"			231	\$ 24,332.00	12,166.00	11,557.70	11,326.55	10,979.82	10,760.22	10,430.82	13,382.60	
E62301E070 DBL	9.6	24"	31"			231	\$ 47,055.00	23,527.50	22,351.13	21,904.10	21,233.57	20,808.90	20,171.89	25,880.25	

Electric Tabletop Griddles (International Voltages)

EGF4005A2450-T1	9.6	24"	30"		13"	265	\$ 19,837.00	9,918.50	9,422.58	9,234.12	8,951.45	8,772.42	8,503.87	10,910.35	991.85
EGF4005A2450-S2	9.6	24"	30"		36"	294	\$ 22,428.00	11,214.00	10,653.30	10,440.23	10,120.64	9,918.22	9,614.60	12,335.40	1,121.40
EGF4005B2450-T1	9.6	24"	24"		13"	265	\$ 19,175.00	9,587.50	9,108.13	8,925.96	8,652.72	8,479.66	8,220.08	10,546.25	958.75
EGF4005B2450-S2	9.6	24"	24"		36"	294	\$ 21,766.00	10,883.00	10,338.85	10,132.07	9,821.91	9,625.47	9,330.81	11,971.30	1,088.30
EGF4005A3650-T1	14.3	36"	30"		13"	370	\$ 21,252.00	10,626.00	10,094.70	9,892.81	9,589.97	9,398.17	9,110.47	11,688.60	1,062.60
EGF4005A3650-S2	14.3	36"	30"		36"	407	\$ 24,255.00	12,127.50	11,521.13	11,290.70	10,945.07	10,726.17	10,397.82	13,340.25	1,212.75
EGF4005B3650-T1	14.3	36"	24"		13"	370	\$ 20,407.00	10,203.50	9,693.33	9,499.46	9,208.66	9,024.49	8,748.23	11,223.85	1,020.35
EGF4005B3650-S2	14.3	36"	24"		36"	407	\$ 23,410.00	11,705.00	11,119.75	10,897.36	10,563.76	10,352.49	10,035.57	12,875.50	1,170.50
EGF4005A4850-T1	14.3	48"	30"		13"	437	\$ 23,701.00	11,850.50	11,257.98	11,032.82	10,695.08	10,481.17	10,160.32	13,035.55	1,185.05
EGF4005A4850-S2	14.3	48"	30"		36"	482	\$ 26,943.00	13,471.50	12,797.93	12,541.97	12,158.03	11,914.87	11,550.13	14,818.65	1,347.15
EGF4005B4850-T1	14.3	48"	24"		13"	437	\$ 22,675.00	11,337.50	10,770.63	10,555.21	10,232.09	10,027.45	9,720.49	12,471.25	1,133.75
EGF4005B4850-S2	14.3	48"	24"		36"	482	\$ 25,917.00	12,958.50	12,310.58	12,064.36	11,695.05	11,461.15	11,110.29	14,254.35	1,295.85

Gas Tabletop Griddles (International Voltages)

GGF2201A2450-T1		24"	30"		13"	265	\$ 19,934.00	9,967.00	9,468.65	9,279.28	8,995.22	8,815.31	8,545.46	10,963.70	996.70
GGF2201A3650-T1		36"	30"		36"	294	\$ 22,052.00	11,026.00	10,474.70	10,265.21	9,950.97	9,751.95	9,453.42	12,128.60	1,102.60
GGF2201B3650-T1		36"	30"		36"	294	\$ 21,327.00	10,663.50	10,130.33	9,927.72	9,623.81	9,431.33	9,142.62	11,729.85	1,066.35

Misc. Charges

Voltage Upcharge-24"	Flat rate to add to 24" Griddle, not listed here		\$ 250.00
Voltage Upcharge-36"	Flat rate to add to 36" Griddle, not listed here		\$ 363.00
Voltage Upcharge-48"	Flat rate to add to 48" Griddle, not listed here		\$ 457.00

High Output Electric Floor Mounted Stationary Kettles

Model	Description	Weight (lb.)	List Price	Dealer 50%	Dealer 50/5%	Dealer 50/5/2%	Dealer 50/5/5%	Dealer 50/5/2/5%	Dealer 50/5/5/5%	Map Pricing
ALHEC-20	20 gallon, self-contained, 2/3 jacket, stationary, leg mounted, insulated, electric, deep-drawn construction, with 2" compression draw-off valve, 1 piece hinged cover, 30 psi operating pressure, field replacable heating elements, high output model w/ 316 liner.	450	\$ 35,890.00	17,945.00	17,047.75	16,706.80	16,195.36	15,871.46	15,385.59	19,739.50
ALHEC-30	30 gallon, self-contained, 2/3 jacket, stationary, leg mounted, insulated, electric, deep-drawn construction, with 2" compression draw-off valve, 1 piece hinged cover, 30 psi operating pressure, field replacable heating elements, high output model w/ 316 liner.	535	\$ 40,615.00	20,307.50	19,292.13	18,906.28	18,327.52	17,960.97	17,411.14	22,338.25
ALHEC-40	40 gallon, self-contained, 2/3 jacket, stationary, leg mounted, insulated, electric, deep-drawn construction, with 2" compression draw-off valve, 1 piece actuator-assisted cover, 30 psi operating pressure, field replacable heating elements, high output model w/ 316 liner.	645	\$ 41,352.00	20,676.00	19,642.20	19,249.36	18,660.09	18,286.89	17,727.09	22,743.60
ALHEC-60	60 gallon, self-contained, 2/3 jacket, stationary, leg mounted, insulated, electric, deep-drawn construction, with 2" compression draw-off valve, 1 piece actuator-assisted cover, 30 psi operating pressure, field replacable heating elements, high output model.	800	\$ 46,521.00	23,260.50	22,097.48	21,655.53	20,992.60	20,572.75	19,942.97	25,586.55
ALHEC-80	80 gallon, self-contained, 2/3 jacket, stationary, leg mounted, insulated, electric, deep-drawn construction, with 2" compression draw-off valve, 1 piece actuator-assisted cover, 30 psi operating pressure, field replacable heating elements, high output model.	1,010	\$ 61,151.00	30,575.50	29,046.73	28,465.79	27,594.39	27,042.50	26,214.67	33,633.05

Standard Output Electric Floor Mounted Stationary Kettles

ALLEC-20	20 gallon, self-contained, 2/3 jacket, stationary, leg mounted, insulated, electric, deep-drawn construction, with 2" compression draw-off valve, 1 piece hinged cover, 30 psi operating pressure, field replacable heating elements w/ 316 liner.	445	\$ 35,890.00	17,945.00	17,047.75	16,706.80	16,195.36	15,871.46	15,385.59	19,739.50
ALLEC-30	30 gallon, self-contained, 2/3 jacket, stationary, leg mounted, insulated, electric, deep-drawn construction, with 2" compression draw-off valve, 1 piece hinged cover, 30 psi operating pressure, field replacable heating elements w/ 316 liner.	520	\$ 36,443.00	18,221.50	17,310.43	16,964.22	16,444.90	16,116.01	15,622.66	20,043.65

Standard Output Electric Floor Mounted Stationary Kettles

Model	Description	Weight (lb.)	List Price	Dealer 50%	Dealer 50/5%	Dealer 50/5/2%	Dealer 50/5/5%	Dealer 50/5/2/5%	Dealer 50/5/5/5%	Map Pricing
ALLEC-40	40 gallon, self-contained, 2/3 jacket, stationary, leg mounted, insulated, electric, deep-drawn construction, with 2" compression draw-off valve, 1 piece actuator-assisted cover, 30 psi operating pressure, field replaceable heating elements w/ 316 liner.	630	\$ 36,919.00	18,459.50	17,536.53	17,185.79	16,659.70	16,326.50	15,826.71	20,305.45
ALLEC-40-QS	QUICK SHIP- 40 gallon, self-contained, 2/3 jacket, stationary, leg mounted, insulated, electric, deep-drawn construction, with 2" compression draw-off valve, 1 piece actuator-assisted cover, 30 psi operating pressure, field replaceable heating elements w/ 316 liner, <i>Etched Gallon Markings, Faucet Bracket, 2" Draw off valve.</i>	630	\$ 39,264.00	19,632.00	18,650.40	18,277.39	17,717.88	17,363.52	16,831.99	21,595.20
ALLEC-60	60 gallon, self-contained, 2/3 jacket, stationary, leg mounted, insulated, electric, deep-drawn construction, with 2" compression draw-off valve, 1 piece actuator-assisted cover, 30 psi operating pressure, field replaceable heating elements.	785	\$ 46,521.00	23,260.50	22,097.48	21,655.53	20,992.60	20,572.75	19,942.97	25,586.55
ALLEC-80	80 gallon, self-contained, 2/3 jacket, stationary, leg mounted, insulated, electric, deep-drawn construction, with 2" compression draw-off valve, 1 piece actuator-assisted cover, 30 psi operating pressure, field replaceable heating elements.	995	\$ 61,151.00	30,575.50	29,046.73	28,465.79	27,594.39	27,042.50	26,214.67	33,633.05

Electric Floor Mounted Tilting Kettles

ALTWE-20	20 gallon, tilting, U-Frame mounted, insulated, electric, deep-drawn construction, 30 psi operating pressure, field replaceable heating elements w/ 316 liner.	560	\$ 50,210.00	25,105.00	23,849.75	23,372.76	22,657.26	22,204.12	21,524.40	27,615.50
ALTWE-30	30 gallon, tilting, U-Frame mounted, insulated, electric, deep-drawn construction, 30 psi operating pressure, field replaceable heating elements w/ 316 liner.	680	\$ 52,619.00	26,309.50	24,994.03	24,494.14	23,744.32	23,269.44	22,557.11	28,940.45
ALTWE-40	40 gallon, tilting, U-Frame mounted, insulated, electric, deep-drawn construction, 30 psi operating pressure, field replaceable heating elements <i>with 316 liner</i> .	800	\$ 54,930.00	27,465.00	26,091.75	25,569.92	24,787.16	24,291.42	23,547.80	30,211.50
ALTWE-40-QS	QUICK SHIP- 40 gallon, tilting, U-Frame mounted, insulated, electric, deep-drawn construction, 30 psi operating pressure, field replaceable heating elements w/ 316 liner, <i>Etched Gallon Markings, Faucet Bracket</i>	800	\$ 57,275.00	28,637.50	27,205.63	26,661.51	25,845.34	25,328.44	24,553.08	31,501.25

Electric Floor Mounted Tilting Kettles

Model	Description	Weight (lb.)	List Price	Dealer 50%	Dealer 50/5%	Dealer 50/5/2%	Dealer 50/5/5%	Dealer 50/5/2/5%	Dealer 50/5/5/5%	Map Pricing
ALTWE-60	60 gallon, tilting, U-Frame mounted, insulated, electric, deep-drawn construction, 30 psi operating pressure, field replaceable heating elements.	920	\$ 60,583.00	30,291.50	28,776.93	28,201.39	27,338.08	26,791.32	25,971.17	33,320.65

Electric Table Top Mounted Tilting Kettles

ALTEH-5	5 gallon, tilting, table top mounted, insulated, electric, deep-drawn construction, 50 psi operating pressure, field replaceable heating elements w/ 316 liner and tilt locking device.	200	\$ 19,380.00	9,690.00	9,205.50	9,021.39	8,745.23	8,570.32	8,307.96	10,659.00
ALTEH-10	10 gallon, tilting, table top mounted, insulated, electric, deep-drawn construction, 50 psi operating pressure, field replaceable heating elements w/ 316 liner and tilt locking device	220	\$ 20,370.00	10,185.00	9,675.75	9,482.24	9,191.96	9,008.12	8,732.36	11,203.50

Gas-Fired Floor Mounted Stationary Kettles

ALLGB-20	20 gallon, self-contained, 2/3 jacket, stationary, leg mounted, insulated, gas-fired, deep-drawn construction, with 2" compression draw-off valve, 1 electronic ignition, 1 piece hinged cover, 30 psi operating pressure w/ 316 liner.	395	\$ 44,983.00	22,491.50	21,366.93	20,939.59	20,298.58	19,892.61	19,283.65	24,740.65
ALLGB-25	25 gallon, self-contained, 2/3 jacket, stationary, leg mounted, insulated, gas-fired, deep-drawn construction, with 2" compression draw-off valve, 1 electronic ignition, 1 piece hinged cover, 30 psi operating pressure w/ 316 liner.	440	\$ 46,409.00	23,204.50	22,044.28	21,603.39	20,942.06	20,523.22	19,894.96	25,524.95
ALLGB-30	30 gallon, self-contained, 2/3 jacket, stationary, leg mounted, insulated, gas-fired, deep-drawn construction, with 2" compression draw-off valve, 1 electronic ignition, 1 piece hinged cover, 30 psi operating pressure w/ 316 liner.	480	\$ 46,130.00	23,065.00	21,911.75	21,473.52	20,816.16	20,399.84	19,775.35	25,371.50
ALLGB-40	40 gallon, self-contained, 2/3 jacket, stationary, leg mounted, insulated, gas-fired, deep-drawn construction, with 2" compression draw-off valve, 1 electronic ignition, 1 piece actuator-assisted cover, 30 psi operating pressure w/ 316 liner.	555	\$ 47,501.00	23,750.50	22,562.98	22,111.72	21,434.83	21,006.13	20,363.08	26,125.55
ALLGB-40-QS	QUICK SHIP- 40 gallon, self-contained, 2/3 jacket, stationary, leg mounted, insulated, gas-fired, deep-drawn construction, with 2" compression draw-off valve, 1 electronic ignition, 1 piece actuator-assisted cover, 30 psi operating pressure w/ 316 liner, <i>Etched Gallon Markings, Faucet Bracket, 2" Draw off valve.</i>	555	\$ 49,846.00	24,923.00	23,676.85	23,203.31	22,493.01	22,043.15	21,368.36	27,415.30
ALLGB-50	50 gallon, self-contained, 2/3 jacket, stationary, leg mounted, insulated, gas-fired, deep-drawn construction, with 2" compression draw-off valve, 1 electronic ignition, 1 piece actuator-assisted cover, 30 psi operating pressure.	650	\$ 52,157.00	26,078.50	24,774.58	24,279.08	23,535.85	23,065.13	22,359.05	28,686.35

Gas-Fired Floor Mounted Stationary Kettles

Model	Description	Weight (lb.)	List Price	Dealer 50%	Dealer 50/5%	Dealer 50/5/2%	Dealer 50/5/5%	Dealer 50/5/2/5%	Dealer 50/5/5/5%	Map Pricing
ALLGB-60	60 gallon, self-contained, 2/3 jacket, stationary, leg mounted, insulated, gas-fired, deep-drawn construction, with 2" compression draw-off valve, 1 electronic ignition, 1 piece actuator-assisted cover, 30 psi operating pressure.	720	\$ 55,446.00	27,723.00	26,336.85	25,810.11	25,020.01	24,519.61	23,769.01	30,495.30
ALLGB-80	80 gallon, self-contained, 2/3 jacket, stationary, leg mounted, insulated, gas-fired, deep-drawn construction, with 2" compression draw-off valve, 1 electronic ignition, 1 piece actuator-assisted cover, 30 psi operating pressure.	805	\$ 64,607.00	32,303.50	30,688.33	30,074.56	29,153.91	28,570.83	27,696.21	35,533.85
ALLGB-100	100 gallon, self-contained, 2/3 jacket, stationary, leg mounted, insulated, gas-fired, deep-drawn construction, with 2" compression draw-off valve, 1 electronic ignition, 1 piece actuator-assisted cover, 30 psi operating pressure.	860	\$ 68,276.00	34,138.00	32,431.10	31,782.48	30,809.55	30,193.35	29,269.07	37,551.80
ALLGB-125	125 gallon, self-contained, 2/3 jacket, stationary, leg mounted, insulated, gas-fired, deep-drawn construction, with 2" compression draw-off valve, 1 electronic ignition, 1 piece actuator-assisted cover, 30 psi operating pressure.	875	\$ 72,867.00	36,433.50	34,611.83	33,919.59	32,881.23	32,223.61	31,237.17	40,076.85

Low Rim Gas-Fired Floor Mounted Stationary Kettles

ALLGB-15F	15 gallon, full jacket, stationary, leg mounted, insulated, gas fired, deep-drawn construction, with 2" compression draw-off valve, electronic ignition, 1 piece hinged cover, 30 psi operating pressure w/ 316 liner.	350	\$ 43,703.00	21,851.50	20,758.93	20,343.75	19,720.98	19,326.56	18,734.93	24,036.65
ALLGB-20F	20 gallon, full jacket, stationary, leg mounted, insulated, gas fired, deep-drawn construction, with 2" compression draw-off valve, electronic ignition, 1 piece hinged cover, 30 psi operating pressure w/ 316 liner.	395	\$ 45,402.00	22,701.00	21,565.95	21,134.63	20,487.65	20,077.90	19,463.27	24,971.10
ALLGB-25F	25 gallon, full jacket, stationary, leg mounted, insulated, gas fired, deep-drawn construction, with 2" compression draw-off valve, electronic ignition, 1 piece hinged cover, 30 psi operating pressure w/ 316 liner.	440	\$ 48,532.00	24,266.00	23,052.70	22,591.65	21,900.07	21,462.06	20,805.06	26,692.60
ALLGB-30F	30 gallon, full jacket, stationary, leg mounted, insulated, gas fired, deep-drawn construction, with 2" compression draw-off valve, electronic ignition, 1 piece actuator-assisted cover, 30 psi operating pressure w/ 316 liner.	480	\$ 49,034.00	24,517.00	23,291.15	22,825.33	22,126.59	21,684.06	21,020.26	26,968.70
ALLGB-40F	40 gallon, full jacket, stationary, leg mounted, insulated, gas fired, deep-drawn construction, with 2" compression draw-off valve, electronic ignition, 1 piece actuator-assisted cover, 30 psi operating pressure w/ 316 liner.	555	\$ 50,677.00	25,338.50	24,071.58	23,590.14	22,868.00	22,410.64	21,724.60	27,872.35
ALLGB-60F	60 gallon, full jacket, stationary, leg mounted, insulated, gas fired, deep-drawn construction, with 2" compression draw-off valve, electronic ignition, 1 piece actuator-assisted cover, 30 psi operating pressure.	720	\$ 58,674.00	29,337.00	27,870.15	27,312.75	26,476.64	25,947.11	25,152.81	32,270.70

Low Rim Gas-Fired Floor Mounted Stationary Kettles

Model	Description	Weight (lb.)	List Price	Dealer 50%	Dealer 50/5%	Dealer 50/5/2%	Dealer 50/5/5%	Dealer 50/5/2/5%	Dealer 50/5/5/5%	Map Pricing
ALLGB-80F	80 gallon, full jacket, stationary, leg mounted, insulated, gas fired, deep-drawn construction, with 2" compression draw-off valve, electronic ignition, 1 piece actuator-assisted cover, 30 psi operating pressure.	805	\$ 67,857.00	33,928.50	32,232.08	31,587.43	30,620.47	30,008.06	29,089.45	37,321.35
ALLGB-100F	100 gallon, full jacket, stationary, leg mounted, insulated, gas fired, deep-drawn construction, with 2" compression draw-off valve, electronic ignition, 1 piece actuator-assisted cover, 30 psi operating pressure.	860	\$ 76,347.00	38,173.50	36,264.83	35,539.53	34,451.58	33,762.55	32,729.00	41,990.85

Gas Fired Floor Mounted Tilting Kettles

ALTLGB-20	20 gallon, 2/3 jacket, tilting, leg mounted, insulated, gas fired, deep-drawn construction, electronic ignition, 30 psi operating pressure w/ 316 liner.	395	\$ 66,032.00	33,016.00	31,365.20	30,737.90	29,796.94	29,201.00	28,307.09	36,317.60
ALTLGB-30	30 gallon, 2/3 jacket, tilting, leg mounted, insulated, gas fired, deep-drawn construction, electronic ignition, 30 psi operating pressure w/ 316 liner.	480	\$ 68,692.00	34,346.00	32,628.70	31,976.13	30,997.27	30,377.32	29,447.40	37,780.60
ALTLGB-40	40 gallon, 2/3 jacket, tilting, leg mounted, insulated, gas fired, deep-drawn construction, electronic ignition, 30 psi operating pressure w/ 316 liner.	555	\$ 69,296.00	34,648.00	32,915.60	32,257.29	31,269.82	30,644.42	29,706.33	38,112.80
ALTLGB-40-QS	QUICK SHIP- 40 gallon, 2/3 jacket, tilting, leg mounted, insulated, gas fired, deep-drawn construction, electronic ignition, 30 psi operating pressure w/ 316 liner, <i>Etched Gallon Markings, Faucet Bracket</i> .	555	\$ 71,641.00	35,820.50	34,029.48	33,348.89	32,328.00	31,681.44	30,711.60	39,402.55
ALTLGB-60	60 gallon, 2/3 jacket, tilting, leg mounted, insulated, gas fired, deep-drawn construction, electronic ignition, 30 psi operating pressure.	720	\$ 75,074.00	37,537.00	35,660.15	34,946.95	33,877.14	33,199.60	32,183.29	41,290.70
ALTLGB-80	80 gallon, 2/3 jacket, tilting, leg mounted, insulated, gas fired, deep-drawn construction, electronic ignition, 30 psi operating pressure.	805	\$ 89,846.00	44,923.00	42,676.85	41,823.31	40,543.01	39,732.15	38,515.86	49,415.30

Low Rim Gas Fired Floor Mounted Tilting Kettles

ALTLGB-20F	20 gallon, full jacket, tilting, leg mounted, insulated, gas fired, deep drawn construction, electronic ignition, 30 psi operating pressure w/ 316 liner.	480	\$ 67,676.00	33,838.00	32,146.10	31,503.18	30,538.80	29,928.02	29,011.86	37,221.80
------------	---	-----	--------------	-----------	-----------	-----------	-----------	-----------	-----------	-----------

Low Rim Gas Fired Floor Mounted Tilting Kettles

Model	Description	Weight (lb.)	List Price	Dealer 50%	Dealer 50/5%	Dealer 50/5/2%	Dealer 50/5/5%	Dealer 50/5/2/5%	Dealer 50/5/5/5%	Map Pricing
ALTLGB-30F	30 gallon, full jacket, tilting, leg mounted, insulated, gas fired, deep drawn construction, electronic ignition, 30 psi operating pressure w/ 316 liner.	555	\$ 69,859.00	34,929.50	33,183.03	32,519.36	31,523.87	30,893.40	29,947.68	38,422.45
ALTLGB-40F	40 gallon, full jacket, tilting, leg mounted, insulated, gas fired, deep drawn construction, electronic ignition, 30 psi operating pressure w/ 316 liner.	650	\$ 68,604.00	34,302.00	32,586.90	31,935.16	30,957.56	30,338.40	29,409.68	37,732.20
ALTLGB-60F	60 gallon, full jacket, tilting, leg mounted, insulated, gas fired, deep drawn construction, electronic ignition, 30 psi operating pressure.	705	\$ 76,257.00	38,128.50	36,222.08	35,497.63	34,410.97	33,722.75	32,690.42	41,941.35

High Output Electric Floor Mounted Stationary Mixer Kettles

ALHEC-20MV	20 gallon, self-contained, stationary, leg mounted, insulated, electric, deep-drawn construction with 2" compression draw-off valve, 30 psi operating pressure, field replaceable heating elements, high output model. Mixer/Agitator - sturdy aluminum construction, swing out agitator bridge, 2 speed, 208V/3ph, rim lock and actuator-assisted lift mechanism w/ 316 liner.	850	\$ 153,373.00	76,686.50	72,852.18	71,395.13	69,209.57	67,825.37	65,749.09	84,355.15
ALHEC-30MV	30 gallon, self-contained, stationary, leg mounted, insulated, electric, deep-drawn construction with 2" compression draw-off valve, 30 psi operating pressure, field replaceable heating elements, high output model. Mixer/Agitator - sturdy aluminum construction, swing out agitator bridge, 2 speed, 208V/3ph, rim lock and actuator-assisted lift mechanism w/ 316 liner.	935	\$ 156,013.00	78,006.50	74,106.18	72,624.05	70,400.87	68,992.85	66,880.82	85,807.15
ALHEC-40MV	40 gallon, self-contained, stationary, leg mounted, insulated, electric, deep-drawn construction with 2" compression draw-off valve, 30 psi operating pressure, field replaceable heating elements, high output model. Mixer/Agitator - sturdy aluminum construction, swing out agitator bridge, 2 speed, 208V/3ph, rim lock and actuator-assisted lift mechanism w/ 316 liner.	1,045	\$ 160,523.00	80,261.50	76,248.43	74,723.46	72,436.00	70,987.28	68,814.20	88,287.65
ALHEC-60MV	60 gallon, self-contained, stationary, leg mounted, insulated, electric, deep-drawn construction with 2" compression draw-off valve, 30 psi operating pressure, field replaceable heating elements, high output model. Mixer/Agitator - sturdy aluminum construction, swing out agitator bridge, 2 speed, 208V/3ph, rim lock and actuator-assisted lift mechanism.	1,200	\$ 163,581.00	81,790.50	77,700.98	76,146.96	73,815.93	72,339.61	70,125.13	89,969.55

High Output Electric Floor Mounted Stationary Mixer Kettles

Model	Description	Weight (lb.)	List Price	Dealer 50%	Dealer 50/5%	Dealer 50/5/2%	Dealer 50/5/5%	Dealer 50/5/2/5%	Dealer 50/5/5/5%	Map Pricing
ALHEC-80MV	80 gallon, self-contained, stationary, leg mounted, insulated, electric, deep-drawn construction with 2" compression draw-off valve, 30 psi operating pressure, field replaceable heating elements, high output model. Mixer/Agitator - sturdy aluminum construction, swing out agitator bridge, 2 speed, 208V/3ph, rim lock and actuator-assisted lift mechanism.	1,410	\$ 166,573.00	83,286.50	79,122.18	77,539.73	75,166.07	73,662.74	71,407.76	91,615.15

Standard Output Electric Floor Mounted Stationary Mixer Kettles

ALLEC-20MV	20 gallon, self-contained, stationary, leg mounted, insulated, electric, deep-drawn construction with 2" compression draw-off valve, 30 psi operating pressure, field replaceable heating elements. Mixer/Agitator - sturdy aluminum construction, swing out agitator bridge, 2 speed, 208V/3ph, rim lock and actuator-assisted lift mechanism w/ 316 liner.	845	\$ 144,903.00	72,451.50	68,828.93	67,452.35	65,387.48	64,079.73	62,118.10	79,696.65
ALLEC-30MV	30 gallon, self-contained, stationary, leg mounted, insulated, electric, deep-drawn construction with 2" compression draw-off valve, 30 psi operating pressure, field replaceable heating elements. Mixer/Agitator - sturdy aluminum construction, swing out agitator bridge, 2 speed, 208V/3ph, rim lock and actuator-assisted lift mechanism w/ 316 liner.	920	\$ 148,302.00	74,151.00	70,443.45	69,034.58	66,921.28	65,582.85	63,575.21	81,566.10
ALLEC-40MV	40 gallon, self-contained, stationary, leg mounted, insulated, electric, deep-drawn construction with 2" compression draw-off valve, 30 psi operating pressure, field replaceable heating elements. Mixer/Agitator - sturdy aluminum construction, swing out agitator bridge, 2 speed, 208V/3ph, rim lock and actuator-assisted lift mechanism w/ 316 liner.	1,030	\$ 154,418.00	77,209.00	73,348.55	71,881.58	69,681.12	68,287.50	66,197.07	84,929.90
ALLEC-60MV	60 gallon, self-contained, stationary, leg mounted, insulated, electric, deep-drawn construction with 2" compression draw-off valve, 30 psi operating pressure, field replaceable heating elements. Mixer/Agitator - sturdy aluminum construction, swing out agitator bridge, 2 speed, 208V/3ph, rim lock and actuator-assisted lift mechanism.	1,185	\$ 159,412.00	79,706.00	75,720.70	74,206.29	71,934.67	70,495.97	68,337.93	87,676.60
ALLEC-80MV	80 gallon, self-contained, stationary, leg mounted, insulated, electric, deep-drawn construction with 2" compression draw-off valve, 30 psi operating pressure, field replaceable heating elements. Mixer/Agitator - sturdy aluminum construction, swing out agitator bridge, 2 speed, 208V/3ph, rim lock and actuator-assisted lift mechanism.	1,395	\$ 162,294.00	81,147.00	77,089.65	75,547.86	73,235.17	71,770.46	69,573.41	89,261.70

Electric Floor Mounted Tilting Mixer Kettles

Model	Description	Weight (lb.)	List Price	Dealer 50%	Dealer 50/5%	Dealer 50/5/2%	Dealer 50/5/5%	Dealer 50/5/2/5%	Dealer 50/5/5/5%	Map Pricing
ALTWE-20MV	20 gallon, self-contained, tilting, U-Frame mounted, insulated, electric, deep-drawn construction, 30 psi operating pressure, field replaceable heating elements. Mixer/Agitator - sturdy aluminum construction swing out agitator bridge, 2 speed, 208V/3ph, rim lock and actuator-assisted lift mechanism w/ 316 liner.	955	\$ 155,040.00	77,520.00	73,644.00	72,171.12	69,961.80	68,562.56	66,463.71	85,272.00
ALTWE-30MV	30 gallon, self-contained, tilting, U-Frame mounted, insulated, electric, deep-drawn construction, 30 psi operating pressure, field replaceable heating elements. Mixer/Agitator - sturdy aluminum construction swing out agitator bridge, 2 speed, 208V/3ph, rim lock and actuator-assisted lift mechanism w/ 316 liner.	1,080	\$ 160,325.00	80,162.50	76,154.38	74,631.29	72,346.66	70,899.72	68,729.32	88,178.75
ALTWE-40MV	40 gallon, self-contained, tilting, U-Frame mounted, insulated, electric, deep-drawn construction, 30 psi operating pressure, field replaceable heating elements. Mixer/Agitator - sturdy aluminum construction swing out agitator bridge, 2 speed, 208V/3ph, rim lock and actuator-assisted lift mechanism w/ 316 liner.	1,200	\$ 165,979.00	82,989.50	78,840.03	77,263.22	74,898.02	73,400.06	71,153.12	91,288.45
ALTWE-60MV	60 gallon, self-contained, tilting, U-Frame mounted, insulated, electric, deep-drawn construction, 30 psi operating pressure, field replaceable heating elements. Mixer/Agitator - sturdy aluminum construction swing out agitator bridge, 2 speed, 208V/3ph, rim lock and actuator-assisted lift mechanism.	1,320	\$ 175,331.00	87,665.50	83,282.23	81,616.58	79,118.11	77,535.75	75,162.21	96,432.05

Electric Table Top Mounted Tilting Mixer Kettles

ALTEH-5MV	5 gallon, self-contained, tilting, table-top mounted, insulated, electric, deep-drawn construction, 50 psi operating pressure, field replaceable heating elements. Mixer/Agitator - sturdy aluminum construction swing out agitator bridge, single speed, 208V/3ph, rim lock and actuator-assisted lift mechanism w/ 316 liner and tilt locking device.	253	\$ 54,527.00	27,263.50	25,900.33	25,382.32	24,605.31	24,113.20	23,375.04	29,989.85
ALTEH-10MV	10 gallon, self-contained, tilting, table-top mounted, insulated, electric, deep-drawn construction, 50 psi operating pressure, field replaceable heating elements. Mixer/Agitator - sturdy aluminum construction swing out agitator bridge, single speed, 208V/3ph, rim lock and actuator-assisted lift mechanism w/ 316 liner and tilt locking device.	270	\$ 61,292.00	30,646.00	29,113.70	28,531.43	27,658.02	27,104.85	26,275.11	33,710.60

Gas-Fired Floor Mounted Stationary Mixer Kettles

Model	Description	Weight (lb.)	List Price	Dealer 50%	Dealer 50/5%	Dealer 50/5/2%	Dealer 50/5/5%	Dealer 50/5/2/5%	Dealer 50/5/5/5%	Map Pricing
ALLGB-20MV	20 gallon, self-contained, 2/3 jacket, stationary, leg mounted, insulated, gas-fired, deep-drawn construction, with 2" compression draw-off valve, electronic ignition, 30 psi operating pressure. Mixer/Agitator - sturdy aluminum construction swing out agitator bridge, 2 speed, 208V/3ph, rim lock and actuator-assisted lift mechanism w/ 316 liner.	795	\$ 152,482.00	76,241.00	72,428.95	70,980.37	68,807.50	67,431.35	65,367.13	83,865.10
ALLGB-30MV	30 gallon, self-contained, 2/3 jacket, stationary, leg mounted, insulated, gas-fired, deep-drawn construction, with 2" compression draw-off valve, electronic ignition, 30 psi operating pressure. Mixer/Agitator - sturdy aluminum construction swing out agitator bridge, 2 speed, 208V/3ph, rim lock and actuator-assisted lift mechanism w/ 316 liner.	880	\$ 158,037.00	79,018.50	75,067.58	73,566.22	71,314.20	69,887.91	67,748.49	86,920.35
ALLGB-40MV	40 gallon, self-contained, 2/3 jacket, stationary, leg mounted, insulated, gas-fired, deep-drawn construction, with 2" compression draw-off valve, electronic ignition, 30 psi operating pressure. Mixer/Agitator - sturdy aluminum construction swing out agitator bridge, 2 speed, 208V/3ph, rim lock and actuator-assisted lift mechanism w/ 316 liner.	955	\$ 160,336.00	80,168.00	76,159.60	74,636.41	72,351.62	70,904.59	68,734.04	88,184.80
ALLGB-50MV	50 gallon, self-contained, 2/3 jacket, stationary, leg mounted, insulated, gas-fired, deep-drawn construction, with 2" compression draw-off valve, electronic ignition, 30 psi operating pressure. Mixer/Agitator - sturdy aluminum construction swing out agitator bridge, 2 speed, 208V/3ph, rim lock and actuator-assisted lift mechanism.	1,050	\$ 163,284.00	81,642.00	77,559.90	76,008.70	73,681.91	72,208.27	69,997.81	89,806.20
ALLGB-60MV	60 gallon, self-contained, 2/3 jacket, stationary, leg mounted, insulated, gas-fired, deep-drawn construction, with 2" compression draw-off valve, electronic ignition, 30 psi operating pressure. Mixer/Agitator - sturdy aluminum construction swing out agitator bridge, 2 speed, 208V/3ph, rim lock and actuator-assisted lift mechanism.	1,120	\$ 169,763.00	84,881.50	80,637.43	79,024.68	76,605.55	75,073.44	72,775.28	93,369.65
ALLGB-80MV	80 gallon, self-contained, 2/3 jacket, stationary, leg mounted, insulated, gas-fired, deep-drawn construction, with 2" compression draw-off valve, electronic ignition, 30 psi operating pressure. Mixer/Agitator - sturdy aluminum construction swing out agitator bridge, 2 speed, 208V/3ph, rim lock and actuator-assisted lift mechanism.	1,205	\$ 175,954.00	87,977.00	83,578.15	81,906.59	79,399.24	77,811.26	75,429.28	96,774.70

Gas-Fired Floor Mounted Stationary Mixer Kettles

Model	Description	Weight (lb.)	List Price	Dealer 50%	Dealer 50/5%	Dealer 50/5/2%	Dealer 50/5/5%	Dealer 50/5/2/5%	Dealer 50/5/5/5%	Map Pricing
ALLGB-100MV	100 gallon, self-contained, 2/3 jacket, stationary, leg mounted, insulated, gas-fired, deep-drawn construction, with 2" compression draw-off valve, electronic ignition, 30 psi operating pressure. Mixer/Agitator - sturdy aluminum construction swing out agitator bridge, 2 speed, 208V/3ph, rim lock and actuator-assisted lift mechanism.	1,260	\$ 188,793.00	94,396.50	89,676.68	87,883.14	85,192.84	83,488.98	80,933.20	103,836.15
ALLGB-125MV	125 gallon, self-contained, 2/3 jacket, stationary, leg mounted, insulated, gas-fired, deep-drawn construction, with 2" compression draw-off valve, electronic ignition, 30 psi operating pressure. Mixer/Agitator - sturdy aluminum construction swing out agitator bridge, 2 speed, 208V/3ph, rim lock and actuator-assisted lift mechanism.	1,260	\$ 200,904.00	100,452.00	95,429.40	93,520.81	90,657.93	88,844.77	86,125.03	110,497.20
Low Rim Gas-Fired Floor Mounted Stationary Mixer Kettles										
ALLGB-20FMV	20 gallon, self-contained, 2/3 jacket, stationary, leg mounted, insulated, gas fired, deep-drawn construction, with 2" compression draw-off valve, electronic ignition, 30 psi operating pressure. Mixer/Agitator - sturdy aluminum construction swing out agitator bridge, 2 speed, 208V/3ph, rim lock and actuator-assisted lift mechanism w/ 316 liner.	795	\$ 153,593.00	76,796.50	72,956.68	71,497.54	69,308.84	67,922.66	65,843.40	84,476.15
ALLGB-25FMV	25 gallon, self-contained, 2/3 jacket, stationary, leg mounted, insulated, gas fired, deep-drawn construction, with 2" compression draw-off valve, electronic ignition, 30 psi operating pressure. Mixer/Agitator - sturdy aluminum construction swing out agitator bridge, 2 speed, 208V/3ph, rim lock and actuator-assisted lift mechanism w/ 316 liner.	880	\$ 154,891.00	77,445.50	73,573.23	72,101.76	69,894.56	68,496.67	66,399.84	85,190.05
ALLGB-30FMV	30 gallon, self-contained, 2/3 jacket, stationary, leg mounted, insulated, gas fired, deep-drawn construction, with 2" compression draw-off valve, electronic ignition, 30 psi operating pressure. Mixer/Agitator - sturdy aluminum construction swing out agitator bridge, 2 speed, 208V/3ph, rim lock and actuator-assisted lift mechanism w/ 316 liner.	955	\$ 160,402.00	80,201.00	76,190.95	74,667.13	72,381.40	70,933.77	68,762.33	88,221.10
ALLGB-40FMV	40 gallon, self-contained, 2/3 jacket, stationary, leg mounted, insulated, gas fired, deep-drawn construction, with 2" compression draw-off valve, electronic ignition, 30 psi operating pressure. Mixer/Agitator - sturdy aluminum construction swing out agitator bridge, 2 speed, 208V/3ph, rim lock and actuator-assisted lift mechanism w/ 316 liner.	1,120	\$ 163,867.00	81,933.50	77,836.83	76,280.09	73,944.98	72,466.08	70,247.73	90,126.85

Low Rim Gas-Fired Floor Mounted Stationary Mixer Kettles

Model	Description	Weight (lb.)	List Price	Dealer 50%	Dealer 50/5%	Dealer 50/5/2%	Dealer 50/5/5%	Dealer 50/5/2/5%	Dealer 50/5/5/5%	Map Pricing
ALLGB-60FMV	60 gallon, self-contained, 2/3 jacket, stationary, leg mounted, insulated, gas fired, deep-drawn construction, with 2" compression draw-off valve, electronic ignition, 30 psi operating pressure. Mixer/Agitator - sturdy aluminum construction swing out agitator bridge, 2 speed, 208V/3ph, rim lock and actuator-assisted lift mechanism.	1,205	\$ 173,990.00	86,995.00	82,645.25	80,992.35	78,512.99	76,942.73	74,587.34	95,694.50
ALLGB-80FMV	80 gallon, self-contained, 2/3 jacket, stationary, leg mounted, insulated, gas fired, deep-drawn construction, with 2" compression draw-off valve, electronic ignition, 30 psi operating pressure. Mixer/Agitator - sturdy aluminum construction swing out agitator bridge, 2 speed, 208V/3ph, rim lock and actuator-assisted lift mechanism.	1,260	\$ 179,999.00	89,999.50	85,499.53	83,789.53	81,224.55	79,600.06	77,163.32	98,999.45
ALLGB-100FMV	100 gallon, self-contained, full jacket, stationary, leg mounted, insulated, gas fired, deep-drawn construction, with 2" compression draw-off valve, electronic ignition, 30 psi operating pressure. Mixer/Agitator - sturdy aluminum construction swing out agitator bridge, 2 speed, 208V/3ph, rim lock and actuator-assisted lift mechanism.	1,260	\$ 191,224.00	95,612.00	90,831.40	89,014.77	86,289.83	84,564.03	81,975.34	105,173.20

Gas Fired Floor Mounted Tilting Mixer Kettles

ALTLGB-20MV	20 gallon, self-contained, 2/3 jacket, tilting, leg mounted, insulated, gas fired, deep-drawn construction, electronic ignition, 30 psi operating pressure. Mixer/Agitator - sturdy aluminum construction swing out agitator bridge, 2 speed, 208V/3ph, rim lock and actuator-assisted lift mechanism w/ 316 liner.	835	\$ 180,818.00	90,409.00	85,888.55	84,170.78	81,594.12	79,962.24	77,514.42	99,449.90
ALTLGB-30MV	30 gallon, self-contained, 2/3 jacket, tilting, leg mounted, insulated, gas fired, deep-drawn construction, electronic ignition, 30 psi operating pressure. Mixer/Agitator - sturdy aluminum construction swing out agitator bridge, 2 speed, 208V/3ph, rim lock and actuator-assisted lift mechanism w/ 316 liner.	965	\$ 186,505.00	93,252.50	88,589.88	86,818.08	84,160.38	82,477.17	79,952.36	102,577.75
ALTLGB-40MV	40 gallon, self-contained, 2/3 jacket, tilting, leg mounted, insulated, gas fired, deep-drawn construction, electronic ignition, 30 psi operating pressure. Mixer/Agitator - sturdy aluminum construction swing out agitator bridge, 2 speed, 208V/3ph, rim lock and actuator-assisted lift mechanism w/ 316 liner.	995	\$ 192,258.00	96,129.00	91,322.55	89,496.10	86,756.42	85,021.29	82,418.60	105,741.90

Gas Fired Floor Mounted Tilting Mixer Kettles

Model	Description	Weight (lb.)	List Price	Dealer 50%	Dealer 50/5%	Dealer 50/5/2%	Dealer 50/5/5%	Dealer 50/5/2/5%	Dealer 50/5/5/5%	Map Pricing
ALTLGB-60MV	60 gallon, self-contained, 2/3 jacket, tilting, leg mounted, insulated, gas fired, deep-drawn construction, electronic ignition, 30 psi operating pressure. Mixer/Agitator - sturdy aluminum construction swing out agitator bridge, 2 speed, 208V/3ph, rim lock and actuator-assisted lift mechanism.	1,160	\$ 191,970.00	95,985.00	91,185.75	89,362.04	86,626.46	84,893.93	82,295.14	105,583.50
ALTLGB-80MV	80 gallon, self-contained, 2/3 jacket, tilting, leg mounted, insulated, gas fired, deep-drawn construction, electronic ignition, 30 psi operating pressure. Mixer/Agitator - sturdy aluminum construction swing out agitator bridge, 2 speed, 208V/3ph, rim lock and actuator-assisted lift mechanism.	1,205	\$ 216,557.00	108,278.50	102,864.58	100,807.28	97,721.35	95,766.92	92,835.28	119,106.35

Low Rim Gas Fired Floor Mounted Tilting Mixer Kettles

ALTLGB-20FMV	20 gallon, self-contained, full jacket, tilting, leg mounted, insulated, gas fired, deep-drawn construction, electronic ignition, 30 psi operating pressure. Mixer/Agitator - sturdy aluminum construction swing out agitator bridge, 2 speed, 208V/3ph, rim lock and actuator-assisted lift mechanism w/ 316 liner.	920	\$ 185,306.00	92,653.00	88,020.35	86,259.94	83,619.33	81,946.95	79,438.37	101,918.30
ALTLGB-30FMV	30 gallon, self-contained, full jacket, tilting, leg mounted, insulated, gas fired, deep-drawn construction, electronic ignition, 30 psi operating pressure. Mixer/Agitator - sturdy aluminum construction swing out agitator bridge, 2 speed, 208V/3ph, rim lock and actuator-assisted lift mechanism w/ 316 liner.	965	\$ 188,573.00	94,286.50	89,572.18	87,780.73	85,093.57	83,391.69	80,838.89	103,715.15
ALTLGB-40FMV	40 gallon, self-contained, full jacket, tilting, leg mounted, insulated, gas fired, deep-drawn construction, electronic ignition, 30 psi operating pressure. Mixer/Agitator - sturdy aluminum construction swing out agitator bridge, 2 speed, 208V/3ph, rim lock and actuator-assisted lift mechanism w/ 316 liner.	1,090	\$ 197,802.00	98,901.00	93,955.95	92,076.83	89,258.15	87,472.99	84,795.24	108,791.10
ALTLGB-60FMV	60 gallon, self-contained, full jacket, tilting, leg mounted, insulated, gas fired, deep-drawn construction, electronic ignition, 30 psi operating pressure. Mixer/Agitator - sturdy aluminum construction swing out agitator bridge, 2 speed, 208V/3ph, rim lock and actuator-assisted lift mechanism.	1,145	\$ 197,604.00	98,802.00	93,861.90	91,984.66	89,168.81	87,385.43	84,710.36	108,682.20

Accessories - ALTEH									
Model	Description	List Price	Dealer 50%	Dealer 50/5%	Dealer 50/5/2%	Dealer 50/5/5%	Dealer 50/5/2/5%	Dealer 50/5/5/5%	Map Pricing
ALASMS	Add anti-splash mesh strainer screen for sliding drawer	\$ 3,490.00	1,745.00	1,657.75	1,624.60	1,574.86	1,543.37	1,496.12	1,919.50
ALKCK-S	Care kit, 5-25 gallon	\$ 1,613.00	806.50	766.18	750.85	727.87	713.31	691.47	887.15
ALR-343A-1	Table for one ALTEH kettle	\$ 7,502.00	3,751.00	3,563.45	3,492.18	3,385.28	3,317.57	3,216.01	4,126.10
ALR-343A-2	Table for two ALTEH kettles	\$ 12,388.00	6,194.00	5,884.30	5,766.61	5,590.09	5,478.28	5,310.58	6,813.40
Accessories - Basket Inserts (Kettles)									
ALNBI	Add nylon bag insert	\$ 570.00	285.00	270.75	265.34	257.21	252.07	244.35	313.50
ALSBI-M	Add single basket insert, 20 - 40 gallon kettles	\$ 3,571.00	1,785.50	1,696.23	1,662.30	1,611.41	1,579.19	1,530.84	1,964.05
ALSBI-S	Add single basket insert, 5 - 10 gallon kettles	\$ 1,496.00	748.00	710.60	696.39	675.07	661.57	641.32	822.80
ALTBI-L	Add tri-basket insert for 100 - 125 gallon kettles	\$ 7,462.00	3,731.00	3,544.45	3,473.56	3,367.23	3,299.88	3,198.87	4,104.10
ALTBI-M	Add tri-basket insert for 50 - 80 gallon kettles	\$ 5,418.00	2,709.00	2,573.55	2,522.08	2,444.87	2,395.98	2,322.63	2,979.90
ALTBI-S	Add tri-basket insert for 20 - 40 gallon kettles	\$ 4,393.00	2,196.50	2,086.68	2,044.94	1,982.34	1,942.69	1,883.22	2,416.15
Accessories - Covers / Lids (Kettles)									
ALACS-S	One piece actuator assist cover for 20 - 40 gallon stationary kettles in lieu of standard one piece hinged cover	\$ 1,660.00	830.00	788.50	772.73	749.08	734.09	711.62	913.00
ALACT-L	Add one piece actuator assist cover for 100 gallon tilting kettles	\$ 8,167.00	4,083.50	3,879.33	3,801.74	3,685.36	3,611.65	3,501.09	4,491.85
ALACT-M	Add one piece actuator assist cover for 50 - 80 gallon tilting kettles	\$ 6,951.00	3,475.50	3,301.73	3,235.69	3,136.64	3,073.91	2,979.81	3,823.05
ALACT-S	Add one piece actuator assist cover for 20 - 40 gallon tilting kettles	\$ 3,980.00	1,990.00	1,890.50	1,852.69	1,795.98	1,760.06	1,706.18	2,189.00
ALLCT-L	Add lift-off cover for 80 - 100 gallon tilting kettles	\$ 3,129.00	1,564.50	1,486.28	1,456.55	1,411.96	1,383.72	1,341.36	1,720.95
ALLCT-M	Add lift-off cover for 30 - 60 gallon tilting kettles	\$ 1,799.00	899.50	854.53	837.43	811.80	795.56	771.21	989.45
ALLCT-S	Add lift-off cover for 5 - 25 gallon tilting kettles	\$ 1,197.00	598.50	568.58	557.20	540.15	529.34	513.14	658.35
ALCCLID-20	Lid 20 gallon mixer, custom lid, lift off type	\$ 1,395.00	697.50	662.63	649.37	629.49	616.90	598.02	767.25
ALCCLID-60-80	Lid 60/80 gallon mixer, custom lid, lift off type	\$ 1,982.00	991.00	941.45	922.62	894.38	876.49	849.66	1,090.10
Accessories - Draw-Off Valves (Stationary Kettle Models)									
AL3KS	3" T-316 compression draw-off valve in lieu of standard 2" compression draw-off valve	\$ 5,236.00	2,618.00	2,487.10	2,437.36	2,362.75	2,315.49	2,244.61	2,879.80
Accessories - Draw-Off Valves (Tilting Kettle/Skillet Models)									
AL1.5T	Add 1.5" T-316 compression draw-off valve	\$ 2,298.00	1,149.00	1,091.55	1,069.72	1,036.97	1,016.23	985.12	1,263.90
AL2T	Add 2" T-316 compression draw-off valve	\$ 3,472.00	1,736.00	1,649.20	1,616.22	1,566.74	1,535.41	1,488.40	1,909.60
AL3T	Add 3" T-316 compression draw-off valve	\$ 7,856.00	3,928.00	3,731.60	3,656.97	3,545.02	3,474.12	3,367.77	4,320.80
Accessories - Electric / Power									
ALHV	380, 415, 440 or 480 volt in lieu of standard 208 or 240 volt	\$ 1,936.00	968.00	919.60	901.21	873.62	856.15	829.94	1,064.80
Accessories -Kettles & Skillets									
ALGM	Add Etched Gallon Markings	\$ 1,735.00	867.50	824.13	807.64	782.92	767.26	743.77	954.25
ALHVG	208/240V in lieu of 120V Gas units only	\$ 1,593.00	796.50	756.68	741.54	718.84	704.46	682.90	876.15
Accessories - Fill Faucets									
ACSP-KF	Single Pantry Kettle Filler w/ 60" Hose w/ Backflow Preventor	\$ 2,464.00	1,232.00	1,170.40	1,146.99	1,111.88	1,089.64	1,056.29	1,355.20
ACDP-KF	Double Pantry Kettle Filler w/ 60" Hose w/ Backflow Preventor	\$ 4,314.00	2,157.00	2,049.15	2,008.17	1,946.69	1,907.76	1,849.36	2,372.70
ALFBT	Add faucet bracket for tilting kettles	\$ 611.00	305.50	290.23	284.42	275.71	270.20	261.93	336.05

Accessories - Fill Faucets with Brackets (Compatible with Kettle or Skillet unless otherwise noted)

Model	Description	List Price	Dealer 50%	Dealer 50/5%	Dealer 50/5/2%	Dealer 50/5/5%	Dealer 50/5/2/5%	Dealer 50/5/5/5%	Map Pricing
ALFBST	Add faucet bracket for stationary kettles and Classic skillets	\$ 611.00	305.50	290.23	284.42	275.71	270.20	261.93	336.05
ACSF-12	Faucet, 12" single pantry	\$ 1,366.00	683.00	648.85	635.87	616.41	604.08	585.59	751.30
ACDF-12	Faucet, 12" double pantry with bracket	\$ 1,785.00	892.50	847.88	830.92	805.48	789.37	765.21	981.75
ACDF-12EX	Faucet, 12" double pantry with bracket with Extention Riser	\$ 2,334.00	1,167.00	1,108.65	1,086.48	1,053.22	1,032.15	1,000.56	1,283.70
ACDF-18	Faucet, 18" double pantry with bracket	\$ 1,804.00	902.00	856.90	839.76	814.06	797.77	773.35	992.20
ACSF-18	Faucet, 18" single pantry	\$ 1,551.00	775.50	736.73	721.99	699.89	685.89	664.89	853.05

Accessories - Feet (Kettle)

ALFF-200	Adjustable 2" round flanged foot (per foot) in lieu of standard 2" round bullet foot	\$ 189.00	94.50	89.78	87.98	85.29	83.58	81.02	103.95
----------	--	-----------	-------	-------	-------	-------	-------	-------	--------

Accessories - Kettle Tools

ALL2	Kettle ladle, 1" diameter, 304 stainless steel 16 gauge handle • Bowl is deep drawn, 18 gauge, 304 stainless steel, 2 qt capacity with rolled rim • Bowl seam welded to handle • Satin finish	\$ 1,158.00	579.00	550.05	539.05	522.55	512.10	496.42	636.90
ALL2PERF	Kettle ladle, 1" diameter, 304 stainless steel 16 gauge handle • Bowl is deep drawn, 18 gauge, 304 stainless steel, 2 qt capacity with rolled rim • Bowl seam welded to handle • Satin finish. Perforated bottom, 1/4" holes.	\$ 1,577.00	788.50	749.08	734.09	711.62	697.39	676.04	867.35
ALL3	Kettle ladle, 1" diameter, 304 stainless steel 16 gauge handle • Bowl is deep drawn, 18 gauge, 304 stainless steel, 3 qt capacity with rolled rim • Bowl seam welded to handle • Satin finish	\$ 1,279.00	639.50	607.53	595.37	577.15	565.61	548.29	703.45
ALL4	Kettle ladle, 1" diameter, 304 stainless steel 16 gauge handle • Bowl is deep drawn, 18 gauge, 304 stainless steel, 4 qt capacity with rolled rim • Bowl seam welded to handle • Satin finish	\$ 1,407.00	703.50	668.33	654.96	634.91	622.21	603.16	773.85
ALL6	Kettle ladle, 1" diameter, 304 stainless steel 16 gauge handle • Bowl is deep drawn, 18 gauge, 304 stainless steel, 6 qt capacity with rolled rim • Bowl seam welded to handle • Satin finish	\$ 1,532.00	766.00	727.70	713.15	691.32	677.49	656.75	842.60
ALLL4	Kettle ladle, 1-1/4" diameter, 304 stainless steel 16 gauge handle • Bowl is deep drawn, 14 gauge, 304 stainless steel, 4 qt capacity with reinforced rim • Bowl seam welded to handle • 60" overall length • Satin finish	\$ 2,004.00	1,002.00	951.90	932.86	904.31	886.22	859.09	1,102.20
ALLL6	Kettle ladle, 1-1/4" diameter, 304 stainless steel 16 gauge handle • Bowl is deep drawn, 14 gauge, 304 stainless steel, 6 qt capacity with reinforced rim • Bowl seam welded to handle • 60" overall length • Satin finish	\$ 2,184.00	1,092.00	1,037.40	1,016.65	985.53	965.82	936.25	1,201.20

Accessories - Kettle Tools									
Model	Description	List Price	Dealer 50%	Dealer 50/5%	Dealer 50/5/2%	Dealer 50/5/5%	Dealer 50/5/2/5%	Dealer 50/5/5/5%	Map Pricing
ALPL	Kettle paddle, 1-1/4" diameter, 304 stainless steel, 16 gauge handle • 12 gauge, 304 stainless steel paddle head with 1-1/2" holes • Paddle head contoured to fit inside kettle shell • 58" overall length • Satin finish.	\$ 1,351.00	675.50	641.73	628.89	609.64	597.45	579.16	743.05
ALPL-11	Kettle paddle, 1-1/4" diameter, 304 stainless steel, 11 gauge handle • 12 gauge, 304 stainless steel paddle head with 1-1/2" holes • Paddle head contoured to fit inside kettle shell • 58" overall length • Satin finish.	\$ 1,632.00	816.00	775.20	759.70	736.44	721.71	699.62	897.60
ALPS	Kettle paddle, 1-1/4" diameter, 304 stainless steel, 16 gauge handle • 12 gauge, 304 stainless steel paddle head with 1-1/2" holes • Paddle head contoured to fit inside kettle shell • 48" overall length • Satin finish.	\$ 1,074.00	537.00	510.15	499.95	484.64	474.95	460.41	590.70
ALPS-11	Kettle paddle, 1-1/4" diameter, 304 stainless steel, 11 gauge handle • 12 gauge, 304 stainless steel paddle head with 1-1/2" holes • Paddle head contoured to fit inside kettle shell • 48" overall length • Satin finish.	\$ 1,227.00	613.50	582.83	571.17	553.68	542.61	526.00	674.85
ALKW	Kettle whisk, 1-1/4" diameter, 304 stainless steel, 16 gauge handle • 1/4" diameter 304 stainless steel whip wires • 58" overall length • Satin finish	\$ 1,785.00	892.50	847.88	830.92	805.48	789.37	765.21	981.75
ALWC	Kettle whip, 1-1/4" diameter, 304 stainless steel, 16 gauge handle • 3/16" diameter 304 stainless steel whip wires • Whip design contoured to fit inside kettle shells • 58" overall length • Satin finish	\$ 2,139.00	1,069.50	1,016.03	995.70	965.22	945.92	916.96	1,176.45
ALWC-11	Kettle whip, 1-1/4" diameter, 304 stainless steel, 11 gauge handle • 3/16" diameter 304 stainless steel whip wires • Whip design contoured to fit inside kettle shells • 58" overall length • Satin finish	\$ 2,549.00	1,274.50	1,210.78	1,186.56	1,150.24	1,127.23	1,092.72	1,401.95
ALWS	Kettle whip, 1-1/4" diameter, 304 stainless steel, 16 gauge handle • 1/4" diameter 304 stainless steel whip wires • Whip design contoured to fit inside kettle shells • 58" overall length • Satin finish	\$ 2,163.00	1,081.50	1,027.43	1,006.88	976.05	956.53	927.25	1,189.65
ALWS-11	Kettle whip, 1-1/4" diameter, 304 stainless steel, 11 gauge handle • 1/4" diameter 304 stainless steel whip wires • Whip design contoured to fit inside kettle shells • 58" overall length • Satin finish	\$ 2,672.00	1,336.00	1,269.20	1,243.82	1,205.74	1,181.63	1,145.45	1,469.60
Accessories - Prison / Security (Kettle or Skillet)									
ALLCC	Add lockable control cover	\$ 2,603.00	1,301.50	1,236.43	1,211.70	1,174.60	1,151.11	1,115.87	1,431.65
ALTRFT	Add tamper-resistant fasteners (screws and break-away hex nuts) and 1 each pin torx driver tool	\$ 1,158.00	579.00	550.05	539.05	522.55	512.10	496.42	636.90
ALTRTK	Add tamper-resistant pin torx key	\$ 75.00	37.50	35.63	34.91	33.84	33.17	32.15	41.25

Accessories - Prison / Security (Kettle)

Model	Description	List Price	Dealer 50%	Dealer 50/5%	Dealer 50/5/2%	Dealer 50/5/5%	Dealer 50/5/2/5%	Dealer 50/5/5/5%	Map Pricing
ALPC	Add lockable lid	\$ 643.00	321.50	305.43	299.32	290.15	284.35	275.65	353.65
ALRBR-L	Add heavy reinforced bar rim 100 - 150 gallon kettles	\$ 5,447.00	2,723.50	2,587.33	2,535.58	2,457.96	2,408.80	2,335.06	2,995.85
ALRBR-M	Add heavy reinforced bar rim 40 - 80 gallon kettles	\$ 4,777.00	2,388.50	2,269.08	2,223.69	2,155.62	2,112.51	2,047.84	2,627.35
ALRBR-S	Add heavy reinforced bar rim 10 - 30 gallon kettles	\$ 4,087.00	2,043.50	1,941.33	1,902.50	1,844.26	1,807.37	1,752.05	2,247.85
ALTRSNDO	Add tamper-resistant nut, draw-off valve handle	\$ 84.00	42.00	39.90	39.10	37.91	37.15	36.01	46.20
ALDOPI	Add draw-off protection package, insulated kettles, includes flanged feet (BAR TYPE)	\$ 6,193.00	3,096.50	2,941.68	2,882.84	2,794.59	2,738.70	2,654.86	3,406.15

Accessories - Stationary Kettles

ALIPS	Add pressure switch	\$ 5,720.00	2,860.00	2,717.00	2,662.66	2,581.15	2,529.53	2,452.09	3,146.00
ALCQDH-C	Gas hose for Stationary Kettle w/ casters	\$ 1,411.00	705.50	670.23	656.82	636.71	623.98	604.88	776.05
ALTQDH	Add flexible stainless steel gas hose with antimicrobial PVC coating 3/4" x 60" for use with stationary units (non-castered)	\$ 1,623.00	811.50	770.93	755.51	732.38	717.73	695.76	892.65

Accessories - Tilting Kettles

Model	Description	List Price	Dealer 50%	Dealer 50/5%	Dealer 50/5/2%	Dealer 50/5/5%	Dealer 50/5/2/5%	Dealer 50/5/5/5%	Map Pricing
ALAT	Add electric indicating timer with buzzing	\$ 2,041.00	1,020.50	969.48	950.09	921.00	902.58	874.95	1,122.55
ALPHAKT	Add pour lip pan holder assembly	\$ 1,799.00	899.50	854.53	837.43	811.80	795.56	771.21	989.45
ALTQD	Add quick disconnect, gas 3/4"	\$ 502.00	251.00	238.45	233.68	226.53	222.00	215.20	276.10
ALPCT	Lockable lid	\$ 1,693.00	846.50	804.18	788.09	763.97	748.69	725.77	931.15
ALPLS-TLGB	Pour lip strainer for TLGB Kettle	\$ 9,589.00	4,794.50	4,554.78	4,463.68	4,327.04	4,240.50	4,110.68	5,273.95
ALTQDH	Add flexible stainless steel gas hose with antimicrobial PVC coating 3/4" x 60" for use with stationary units (non-castered)	\$ 1,623.00	811.50	770.93	755.51	732.38	717.73	695.76	892.65

Accessories - Stationary & Tilting Kettles

AL316LNR	316 stainless steel liner, in lieu of standard	\$ 2,496.00	1,248.00	1,185.60	1,161.89	1,126.32	1,103.79	1,070.00	1,372.80
ALMS	Measuring strip, gallon markings	\$ 835.00	417.50	396.63	388.69	376.79	369.26	357.95	459.25
ALKCK-L	Kettle Care kit, 30-125 gallon; Includes drain valve brush for specified draw-off valve, 8" short bristle clean-up brush, kettle brush with "all-around" bristles, plastic handle & grip for kettle brush and 40" paddle scraper - plastic handle	\$ 1,721.00	860.50	817.48	801.13	776.60	761.07	737.77	946.55
ALKCK-S	Kettle Care kit, 5-20 gallon; Includes kettle drain valve brush for specified draw-off valve, 8" short bristle clean-up brush, kettle brush with "all-around" bristles, plastic handle & grip for kettle brush and 13-1/2" paddle scraper - plastic handle	\$ 1,613.00	806.50	766.18	750.85	727.87	713.31	691.47	887.15
ALPDS-S	Solid strainer	\$ 611.00	305.50	290.23	284.42	275.71	270.20	261.93	336.05
ALPDS1/8	Perforated strainer (1/8" holes)	\$ 611.00	305.50	290.23	284.42	275.71	270.20	261.93	336.05
ALPDS1/4	Perforated strainer (1/4" holes)	\$ 611.00	305.50	290.23	284.42	275.71	270.20	261.93	336.05

Electric Floor Mounted Tilting Skillets										
Model	Description	Weight (lb.)	List Price	Dealer 50%	Dealer 50/5%	Dealer 50/5/2%	Dealer 50/5/5%	Dealer 50/5/2/5%	Dealer 50/5/5/5%	Map Pricing
ALTES-30	30 gallon, electric heated, 304 stainless steel and clad pan body construction, thermostatically controlled, open 1-5/8" tubular leg stand, self-locking worm gear and tilt mechanism, heavy duty actuator-assisted cover with condensate drip shield and cover vent, field replaceable heating elements.	490	\$ 39,368.00	19,684.00	18,699.80	18,325.80	17,764.81	17,409.51	16,876.57	21,652.40
ALTES-40	40 gallon, electric heated, 304 stainless steel and clad pan body construction, thermostatically controlled, open 1-5/8" tubular leg stand, self-locking worm gear and tilt mechanism, heavy duty actuator-assisted cover with condensate drip shield and cover vent, field replaceable heating elements.	595	\$ 45,422.00	22,711.00	21,575.45	21,143.94	20,496.68	20,086.74	19,471.84	24,982.10
ALTES-40-QS	QUICK SHIP -40 gallon, electric heated, 304 stainless steel and clad pan body construction, thermostatically controlled, open 1-5/8" tubular leg stand, self-locking worm gear and tilt mechanism, heavy duty actuator-assisted cover with condensate drip shield and cover vent, field replaceable heating elements, <i>Etched Gallon Markings, Faucet Bracket</i>	595	\$ 47,767.00	23,883.50	22,689.33	22,235.54	21,554.86	21,123.76	20,477.12	26,271.85
Gas Fired Floor Mounted Tilting Skillets										
ALTGSE-30	30 gallon, gas-heated, 304 stainless steel and clad pan body construction, thermostatically controlled, open 1-5/8" tubular leg stand, self-locking worm gear and tilt mechanism, heavy duty actuator-assisted cover with condensate drip shield and cover vent, includes optional direct spark ignition combination gas control.	510	\$ 48,996.00	24,498.00	23,273.10	22,807.64	22,109.45	21,667.26	21,003.97	26,947.80
ALTGSE-30-QS	QUICK SHIP -30 gallon, gas-heated, 304 stainless steel and clad pan body construction, thermostatically controlled, open 1-5/8" tubular leg stand, self-locking worm gear and tilt mechanism, heavy duty actuator-assisted cover with condensate drip shield and cover vent, includes optional direct spark ignition combination gas control, <i>Etched Gallon Markings, Faucet Bracket</i>	510	\$ 51,341.00	25,670.50	24,386.98	23,899.24	23,167.63	22,704.27	22,009.24	28,237.55
ALTGSE-40	40 gallon, gas-heated, 304 stainless steel and clad pan body construction, thermostatically controlled, open 1-5/8" tubular leg stand, self-locking worm gear and tilt mechanism, heavy duty actuator-assisted cover with condensate drip shield and cover vent, includes optional direct spark ignition combination gas control.	625	\$ 53,402.00	26,701.00	25,365.95	24,858.63	24,097.65	23,615.70	22,892.77	29,371.10
ALTGSE-40-QS	QUICK SHIP - 40 gallon, gas-heated, 304 stainless steel and clad pan body construction, thermostatically controlled, open 1-5/8" tubular leg stand, self-locking worm gear and tilt mechanism, heavy duty actuator-assisted cover with condensate drip shield and cover vent, includes optional direct spark ignition combination gas control, includes <i>Etched Gallon Markings, Faucet Bracket</i>	625	\$ 55,747.00	27,873.50	26,479.83	25,950.23	25,155.83	24,652.72	23,898.04	30,660.85
Electric Table-Top Tilting Skillets										
ALRES-13	13 gallon, electric heated, 304 stainless steel and clad pan body construction, thermostatically controlled, table-top mounted, hand tilt, field replaceable heating elements.	237	\$ 28,163.00	14,081.50	13,377.43	13,109.88	12,708.55	12,454.38	12,073.13	15,489.65

Accessories - Draw-Off Valves (Tilting Kettle/Skillet Models)									
Model	Description	List Price	Dealer 50%	Dealer 50/5%	Dealer 50/5/2%	Dealer 50/5/5%	Dealer 50/5/2/5%	Dealer 50/5/5/5%	Map Pricing
AL1.5T	Add 1.5" T-316 compression draw-off valve	\$ 2,298.00	1,149.00	1,091.55	1,069.72	1,036.97	1,016.23	985.12	1,263.90
AL2T	Add 2" T-316 compression draw-off valve	\$ 3,472.00	1,736.00	1,649.20	1,616.22	1,566.74	1,535.41	1,488.40	1,909.60
AL3T	Add 3" T-316 compression draw-off valve	\$ 7,856.00	3,928.00	3,731.60	3,656.97	3,545.02	3,474.12	3,367.77	4,320.80
Accessories - Electric / Power									
ALHV	380, 415, 440 or 480 volt in lieu of standard 208 or 240 volt	\$ 1,936.00	968.00	919.60	901.21	873.62	856.15	829.94	1,064.80
Accessories -Kettles & Skillets									
ALGM	Add Etched Gallon Markings	\$ 1,735.00	867.50	824.13	807.64	782.92	767.26	743.77	954.25
ALHVG	208/240V in lieu of 120V Gas units only	\$ 1,593.00	796.50	756.68	741.54	718.84	704.46	682.90	876.15
Accessories - Fill Faucets									
ACSP-KF	Single Pantry Kettle Filler w/ 60" Hose w/ Backflow Preventor	\$ 2,464.00	1,232.00	1,170.40	1,146.99	1,111.88	1,089.64	1,056.29	1,355.20
ACDP-KF	Double Pantry Kettle Filler w/ 60" Hose w/ Backflow Preventor	\$ 4,314.00	2,157.00	2,049.15	2,008.17	1,946.69	1,907.76	1,849.36	2,372.70
ALFBT	Add faucet bracket for tilting kettles	\$ 611.00	305.50	290.23	284.42	275.71	270.20	261.93	336.05
Accessories - Fill Faucets with Brackets (Compatible with Kettle or Skillet unless otherwise noted)									
ALFBST	Add faucet bracket for stationary kettles and Classic skillets	\$ 611.00	305.50	290.23	284.42	275.71	270.20	261.93	336.05
ACSF-12	Faucet, 12" single pantry	\$ 1,366.00	683.00	648.85	635.87	616.41	604.08	585.59	751.30
ACDF-12	Faucet, 12" double pantry with bracket	\$ 1,785.00	892.50	847.88	830.92	805.48	789.37	765.21	981.75
ACDF-12EX	Faucet, 12" double pantry with bracket with Extention Riser	\$ 2,334.00	1,167.00	1,108.65	1,086.48	1,053.22	1,032.15	1,000.56	1,283.70
ACDF-18	Faucet, 18" double pantry with bracket	\$ 1,804.00	902.00	856.90	839.76	814.06	797.77	773.35	992.20
ACSF-18	Faucet, 18" single pantry	\$ 1,551.00	775.50	736.73	721.99	699.89	685.89	664.89	853.05
Accessories - Feet (Skillet)									
ALCAS-KIT	Add caster, 2 each non-locking type, 2 each locking type, and 1 each restraining device kit, Classic Skillets only. For 2 inch square and round tubing.	\$ 1,253.00	626.50	595.18	583.27	565.42	554.11	537.15	689.15
ALFF-158	Adjustable 1-5/8" round flanged foot (per foot) in lieu of standard 1-5/8" round bullet foot	\$ 124.00	62.00	58.90	57.72	55.96	54.84	53.16	68.20
Accessories - Prison / Security (Kettle or Skillet)									
ALLCC	Add lockable control cover	\$ 2,603.00	1,301.50	1,236.43	1,211.70	1,174.60	1,151.11	1,115.87	1,431.65
ALTRFT	Add tamper-resistant fasteners (screws and break-away hex nuts) and 1 each pin torx driver tool	\$ 1,158.00	579.00	550.05	539.05	522.55	512.10	496.42	636.90
ALTRTK	Add tamper-resistant pin torx key	\$ 75.00	37.50	35.63	34.91	33.84	33.17	32.15	41.25
Accessories - Prison / Security (Skillet)									
ALPCS	Add lockable lid	\$ 1,279.00	639.50	607.53	595.37	577.15	565.61	548.29	703.45
Accessories - Kettles (Stationary & Tilting) / Tilting Skillets									
Model	Description	List Price	Dealer 50%	Dealer 50/5%	Dealer 50/5/2%	Dealer 50/5/5%	Dealer 50/5/2/5%	Dealer 50/5/5/5%	Map Pricing
ALDHA	Add additional hose for DIH (per foot)	\$ 75.00	37.50	35.63	34.91	33.84	33.17	32.15	41.25
ALDIH	Add draw-off drain with 6 foot hose	\$ 2,172.00	1,086.00	1,031.70	1,011.07	980.12	960.51	931.11	1,194.60
Accessories - Tilting Skillets									
ALBPSI	Add perforated cooking/steaming basket	\$ 2,154.00	1,077.00	1,023.15	1,002.69	971.99	952.55	923.39	1,184.70
ALCH	Add #10 can holder for draw-off	\$ 560.00	280.00	266.00	260.68	252.70	247.65	240.07	308.00
ALCKK	Tilt skillet care kit, (no draw-off valve ordered); Includes 8" short bristle clean-up brush, drain valve brush, 13-1/2" paddle scraper - plastic handle, three part tool for cleaning cooking surface which consists of the heat-resistant handle, pad for cleaning and screen for scouring	\$ 872.00	436.00	414.20	405.92	393.49	385.62	373.82	479.60
ALCSCT	Add three part tool for cleaning cooking surface	\$ 180.00	90.00	85.50	83.79	81.23	79.60	77.16	99.00
ALDOS-CTS	Add perforated draw-off strainer 1/4" holes, tilting skillets	\$ 560.00	280.00	266.00	260.68	252.70	247.65	240.07	308.00
ALEF	Add stationary side frame and tray, 304 stainless steel	\$ 1,715.00	857.50	814.63	798.33	773.89	758.42	735.20	943.25
ALFBS	Add flat bottom scoop	\$ 611.00	305.50	290.23	284.42	275.71	270.20	261.93	336.05
ALPHABP	Add pour lip pan holder assembly	\$ 1,649.00	824.50	783.28	767.61	744.11	729.23	706.91	906.95
ALPHADO	Add draw-off pan holder assembly	\$ 2,252.00	1,126.00	1,069.70	1,048.31	1,016.22	995.89	965.40	1,238.60
ALPLS	Add pour lip strainer	\$ 337.00	168.50	160.08	156.87	152.07	149.03	144.47	185.35
ALS1220P	Add food pan insert, solid, 12" x 12" x 2.5" (per insert)	\$ 559.00	279.50	265.53	260.21	252.25	247.20	239.64	307.45
ALSIP	Add food pan insert, perforated, 12" x 20" x 2.5" (per insert)	\$ 445.00	222.50	211.38	207.15	200.81	196.79	190.77	244.75
ALSIP-4	Add food pan insert, perforated, 12" x 20" x 4" (per insert)	\$ 623.00	311.50	295.93	290.01	281.13	275.51	267.07	342.65
ALSIP-6	Add food pan insert, perforated, 12" x 20" x 6" (per insert)	\$ 734.00	367.00	348.65	341.68	331.22	324.59	314.66	403.70
ALCQDH	Add flexible stainless steel gas hose with antimicrobial PVC	\$ 1,276.00	638.00	606.10	593.98	575.80	564.28	547.01	701.80
ALQD	Add quick disconnect, gas, 1/2"	\$ 414.00	207.00	196.65	192.72	186.82	183.08	177.48	227.70
Accessories - Tilting Skillets (RES Model Only)									
ALLOC-R	Lift-off cover	\$ 1,947.00	973.50	924.83	906.33	878.58	861.01	834.65	1,070.85
ALR-539A	Table for one (1) RES skillet	\$ 9,059.00	4,529.50	4,303.03	4,216.96	4,087.87	4,006.12	3,883.48	4,982.45

Dividers						
	Description	List Price	Dealer 50%	Dealer 50/5%	Dealer 50/5/2%	Dealer 50/5/5%
ETO ONLY	Full Divider on "B" Griddle	\$ 2,424.00	1,212.00	1,151.40	1,128.37	1,093.83
ETO ONLY	Full Divider on "A" Griddle	\$ 2,424.00	1,212.00	1,151.40	1,128.37	1,093.83
ETO ONLY	1" Divider on "B" Griddle	\$ 2,424.00	1,212.00	1,151.40	1,128.37	1,093.83
ETO ONLY	1" Divider on "A" Griddle	\$ 2,424.00	1,212.00	1,151.40	1,128.37	1,093.83
Weld Beads						
ETO ONLY	Weld Beads (ea)	\$ 1,583.00	791.50	751.93	736.89	714.33
Dams						
ETO ONLY	Dam on 24" Griddle	\$ 1,733.00	866.50	823.18	806.71	782.02
ETO ONLY	Dam on 36" Griddle	\$ 1,908.00	954.00	906.30	888.17	860.99
ETO ONLY	Dam on 48" Griddle	\$ 2,082.00	1,041.00	988.95	969.17	939.50
Cutdowns						
ETO ONLY	Cut Down- 1 Side	\$ 522.00	261.00	247.95	242.99	235.55
ETO ONLY	Cut Down- 2 Side	\$ 1,042.00	521.00	494.95	485.05	470.20
ETO ONLY	Cut Down- 3 Side	\$ 1,560.00	780.00	741.00	726.18	703.95

Whole Foods Customer Pricing

Effective Date 1/1/2024

All Models

Model	Dealer Net
E6D*	5,691.22
E6D-DBL* Gave wrong pricing can't fix until next year Breakdown: ED \$5991.21; 5991.20, Stand 749.09	12,731.50
E6E*	5,998.86
E6E-DBL*	12,746.81
N6D*	7,277.80
N6D-DBL*	15,361.70
N6E*	7,613.17
N6E-DBL*	15,975.42
<i>* Any Voltage</i>	
SNH-10-00	544.52
SNH-20-01	749.09

Miscellaneous

One year Ext Warranty (Total not to exceed 3 years)	1,052.55
Standard 2 year Warranty	
NO Free Freight	

Direct Supply Customer Pricing

Effective Date 1/1/2024

3 & 6 Pan Steamers

Model	DS Cost Type	Dealer Net
E32081D06	LVL-A	6,875.16
E32083D15	LVL-A	6,875.16
E32401D08	LVL-A	6,875.16
E32403D11	LVL-A	6,875.16
E34403D12	LVL-A	6,875.16
E34803D14	LVL-A	6,875.16
E62081D06	FORMA, FORMB, FORMX, FROMZ, HCRET, LVL-C, LVL-D	7,662.34
E62081D06	LVL-A	7,739.75
E62083D10	FORMA, FORMB, FORMX, FROMZ, HCRET, LVL-C, LVL-D	7,662.34
E62083D10	LVL-A	7,739.75
E62083D15	FORMA, FORMB, FORMX, FROMZ, HCRET, LVL-C, LVL-D	7,662.34
E62083D15	LVL-A	7,739.75
E62401D06	FORMA, FORMB, FORMX, FROMZ, HCRET, LVL-C, LVL-D	7,662.34
E62401D06	LVL-A	7,739.75
E62403D11	LVL-A	7,662.34
E62403D13	LVL-A	7,662.34
E64803D14	FORMA, FORMB, FORMX, FROMZ, HCRET, LVL-C, LVL-D	7,662.34
E64803D14	LVL-A	7,739.75
N61201D06	LVL-A	10,168.41
S32081D06	FORMA, FORMB, FORMX, FROMZ, HCRET, LVL-C, LVL-D	7,750.66
S32081D06	LVL-A	7,825.70

Direct Supply Customer Pricing

3 & 6 Pan Steamers

Model	DS Cost Type	Dealer Net
S32083D10	LVL-A	8,033.29
S32401D06	FORMA, FORMB, FORMX, FROMZ, HCRET, LVL-C, LVL-D	7,750.66
S32401D06	LVL-A	7,825.70
S32403D11	LVL-A	7,750.66
S62081D06	FORMA, FORMB, FORMX, FROMZ, HCRET, LVL-C, LVL-D	9,386.67
S62081D06	LVL-A	9,482.57
S62083D10	FORMA, FORMB, FORMX, FROMZ, HCRET, LVL-C, LVL-D	93,386.67
S62083D10	LVL-A	9,482.57
S62083D15	LVL-A	8,433.67
S62401D06	FORMA, FORMB, FORMX, FROMZ, HCRET, LVL-C, LVL-D	9,386.67
S62401D06	LVL-A	9,482.57
S62403D11	LVL-A	9,386.67
S62403D13	FORMA, FORMB, FORMX, FROMZ, HCRET, LVL-C, LVL-D	9,386.67
S62403D13	LVL-A	9,482.57
E32081E06	LVL-A	8,209.69
E32083E15	LVL-A	8,209.69
E32401E08	LVL-A	8,209.69
E32403E11	LVL-A	8,209.69
E34403E12	LVL-A	8,209.69
E34803E14	LVL-A	8,209.69
E62081E06	FORMA, FORMB, FORMX, FROMZ, HCRET, LVL-C, LVL-D	8,892.68
E62081E06	LVL-A	9,074.17

Direct Supply Customer Pricing

3 & 6 Pan Steamers

Model	DS Cost Type	Dealer Net
E62083E10	FORMA, FORMB, FORMX, FROMZ, HCRET, LVL-C, LVL-D	8,892.68
E62083E10	LVL-A	9,074.17
E62083E15	FORMA, FORMB, FORMX, FROMZ, HCRET, LVL-C, LVL-D	8,892.68
E62083E15	LVL-A	9,074.17
E62401E06	FORMA, FORMB, FORMX, FROMZ, HCRET, LVL-C, LVL-D	8,892.68
E62401E06	LVL-A	9,074.17
E62401E11	LVL-A	8,995.86
E62401E13	LVL-A	8,995.86
E64803E14	FORMA, FORMB, FORMX, FROMZ, HCRET, LVL-C, LVL-D	8,892.68
E64803E14	LVL-A	9,074.17
N61201E06	LVL-A	10,889.00

Steamer Accessories

SNH-10-00	FORMA, FORMB, FORMX, FROMZ, HCRET, LVL-C, LVL-D	739.80
SNH-10-00	LVL-A	747.29
SNH-11-00	FORMA, FORMB, FORMX, FROMZ, HCRET, LVL-C, LVL-D	739.80
SNH-11-00	LVL-A	747.29
SNH-20-01	FORMA, FORMB, FORMX, FROMZ, HCRET, LVL-C, LVL-D	792.65
SNH-20-01	LVL-A	800.66
SNH-20-07	LVL-A	792.65
SNH-21-01	FORMA, FORMB, FORMX, FROMZ, HCRET, LVL-C, LVL-D	792.65
SNH-21-01	LVL-A	800.66
SNH-21-06	LVL-A	792.65

Direct Supply Customer Pricing		
Steamer Accessories		
Model	DS Cost Type	Dealer Net
SNH-23-07	LVL-A	792.65
AT1A-3030-1	LVL-A	137.81
AT1A-3030-6	LVL-A	216.12
Griddles		
EGF2083A2450-T1	LVL-A	8,422.87
EGF2083B3650-T1	LVL-A	8,728.52
GGF1201A3650-T1	LVL-A	10,063.25
Miscellaneous Charges		
LIFTGATE	LVL-A	75.41
INSIDE DELIVERY	LVL-A	88.89
/DS CUSTOM	LVL-A	QUOTE
/DS SINGLE	LVL-A	1,396.99
/DS DOUBLE	LVL-A	1,643.52
/DS REMOVE 1	LVL-A	328.70
/DS REMOVE 2	LVL-A	657.41
/STM STARTUP	LVL-A	QUOTE
Miscellaneous		
EVOLUTION	1 year Extended Warranty	
STEAM & HOLDS	Standard Warranty	
	Free Freight	
	FOR OTHER PRODUCTS NOT ON THIS LIST, DISCOUNT	50 / 5